



PARTS MANUAL

JCPT9.5
ELECTRIC SCISSOR LIFT



WARNING

THE MANUFACTURER SHALL NOT BE HELD LIABLE IN CASE OF FAULTS OR ACCIDENTS DUE TO NEGLIGENCE, INCAPACITY, INSTALLATION BY UNQUALIFIED TECHNICIANS AND IMPROPER USE OF THE MACHINE

DO NOT OPERATE THIS MACHINE UNTIL YOU READ AND UNDERSTAND ALL THE DANGERS, WARNINGS AND CAUTIONS IN THIS MANUAL



SECTION 1 FRAME

Contact us:

Manufacturer's address

ZheJiang Dingli Machinery Co.,Ltd.
1255 Baiyun South Road,Leidian Town,
Deqing, Zhejiang, China

Importer

INSTANT
NORGE AS

Enebakkveien 441 B
1290 OSLO, Norway

Tel: 23 19 11 00

Fax: 23 19 11 01

E-mail: post@instant.no

Web: www.instant.no
www.dingli.eu

FIGURE 1-1 STEERING, DRIVE AND FRONT AXLE INSTALLIONS

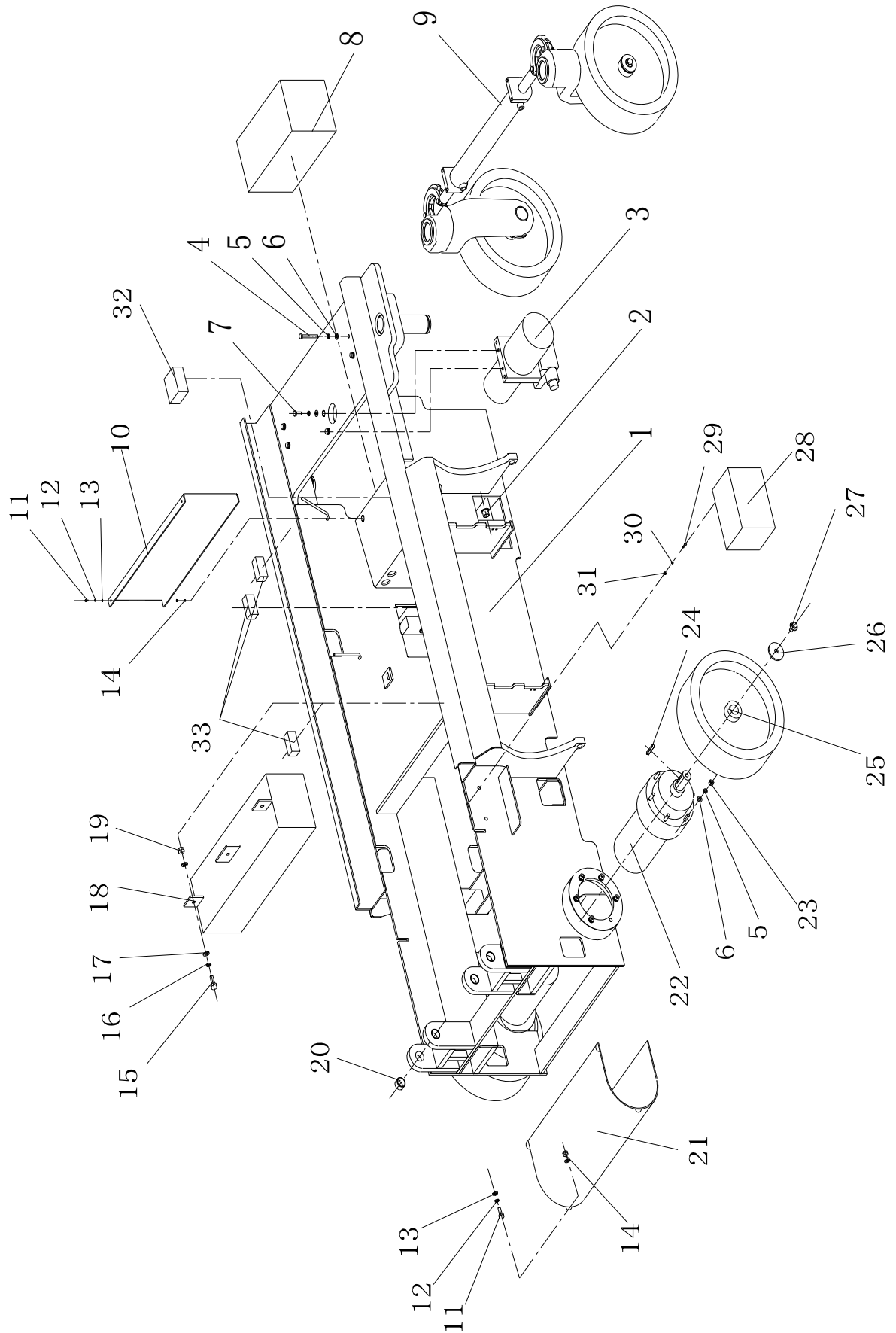


FIGURE 1-1 STEERING, DRIVE AND FRONT AXLE INSTALLIONS

FIG—ITEM#	PART NUMBER	DESCRIPTION	QTY
		DRIVE AND STERRING INSTALLION	
1	JCPT8(I)-1100	Steel Frame	1
2	JCPT8(I)-1113	Bearing	4
3	JCPT8(I)-1006	Pumping Station	1
4		Bolt M10X65	4
5		Thrustwasher 10mm	22
6		Flatwasher 10mm	22
7		Bolt M10X45	2
8	JCPT8(I)-1004	Module, Control	1
		Screw M10X30	3
		Thrustwasher 10mm	3
		Flatwasher 10mm	3
		Nut M10	3
9	JCPT8(I)-1300	Steering Assembly	1
10	JCPT8(I)-1005	Module Cover	1
11		Bolt M6X25	4
12		Thrustwasher 6mm	4
13		Flatwasher 6mm	8
14		Nut M6	4
15		Bolt M12X30	2
16		Thrustwasher 12mm	2
17		Flatwasher 12mm	4
18	JCPT8(I)-1111	Counterweight	1
19		Nut M12	2
20	JCPT8(I)-1106	Bearing	4
21	JCPT8(I)-1003	Motor Cover	1
22	JCPT8(I)-1001	Motor Assembly	2
23		Nut M10	12
24	JCPT8(I)-1325	Key	4
25	JCPT8(I)-1322	Wheel	4
26	JCPT8(I)-1323	Cover	4
27	TLD-004	Screw M12X25	4
28	JCPT8(I)-1008	Down Handle	1
29		Screw M4X25	
30		Thrustwasher 4mm	2
31		Flatwasher 4mm	2
32	JCPT8(I)-1009	Battery Charger	1
		Screw M8X25	4
		Thrustwasher 8mm	4
		Flatwasher 8mm	4
33		Switch	4

FIGURE 1-2 STEERING ASSEMBLY

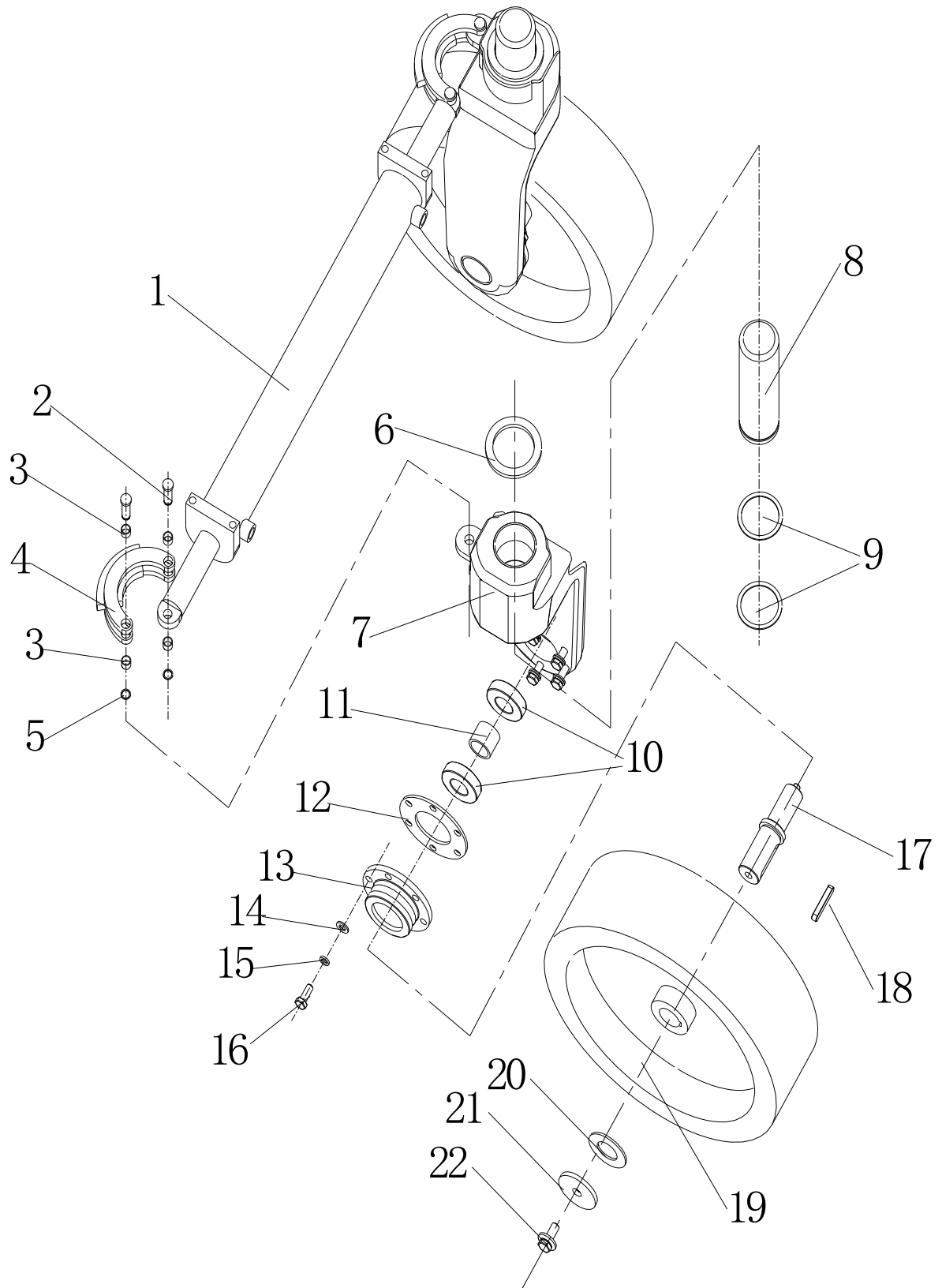
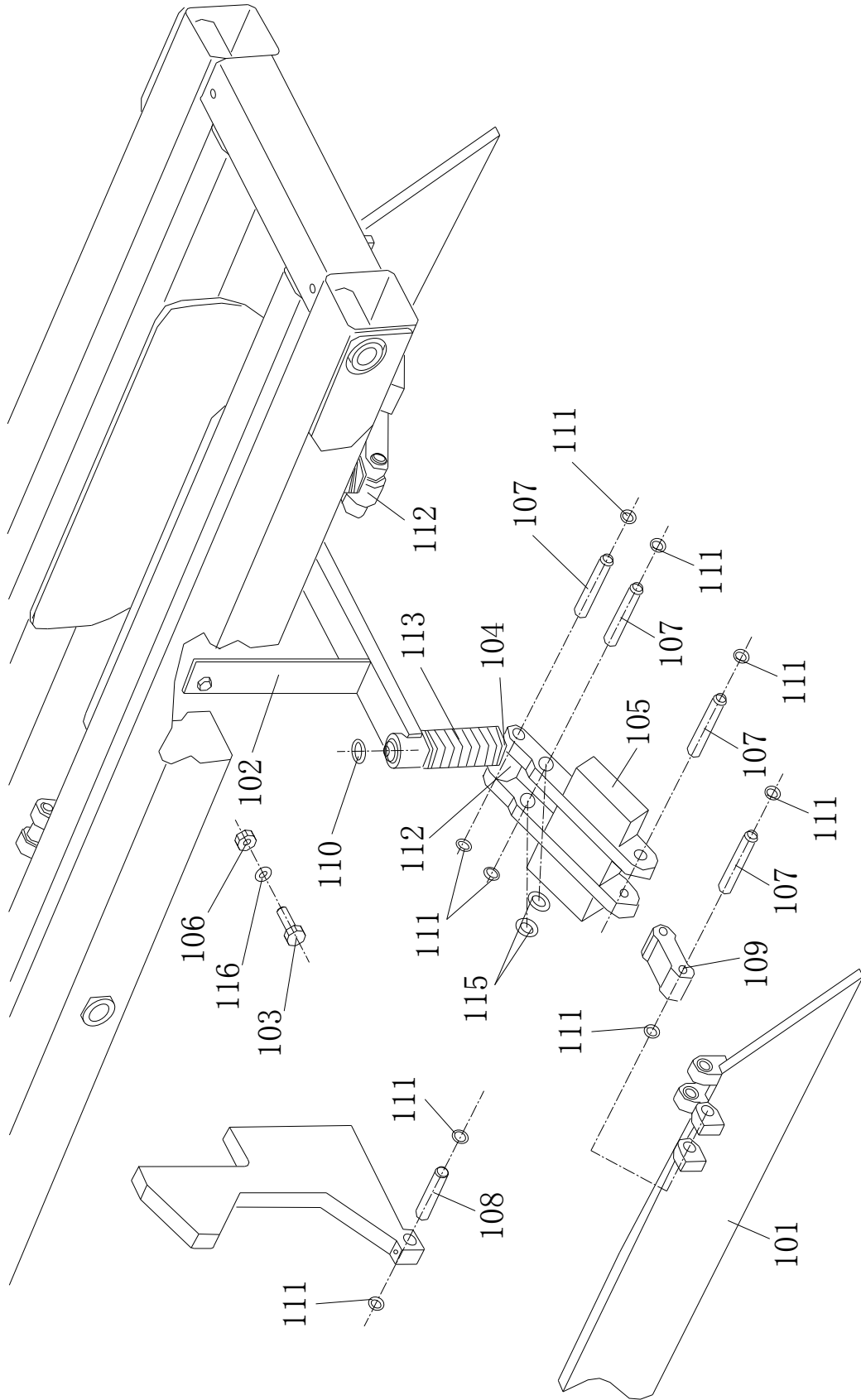


FIGURE 1-3 POTHOLE PROTECTION INSTALLATION



SECTION 2 SCISSOR ARMS

FIGURE 2-1 SCISSOR ARMS INSTALLATION

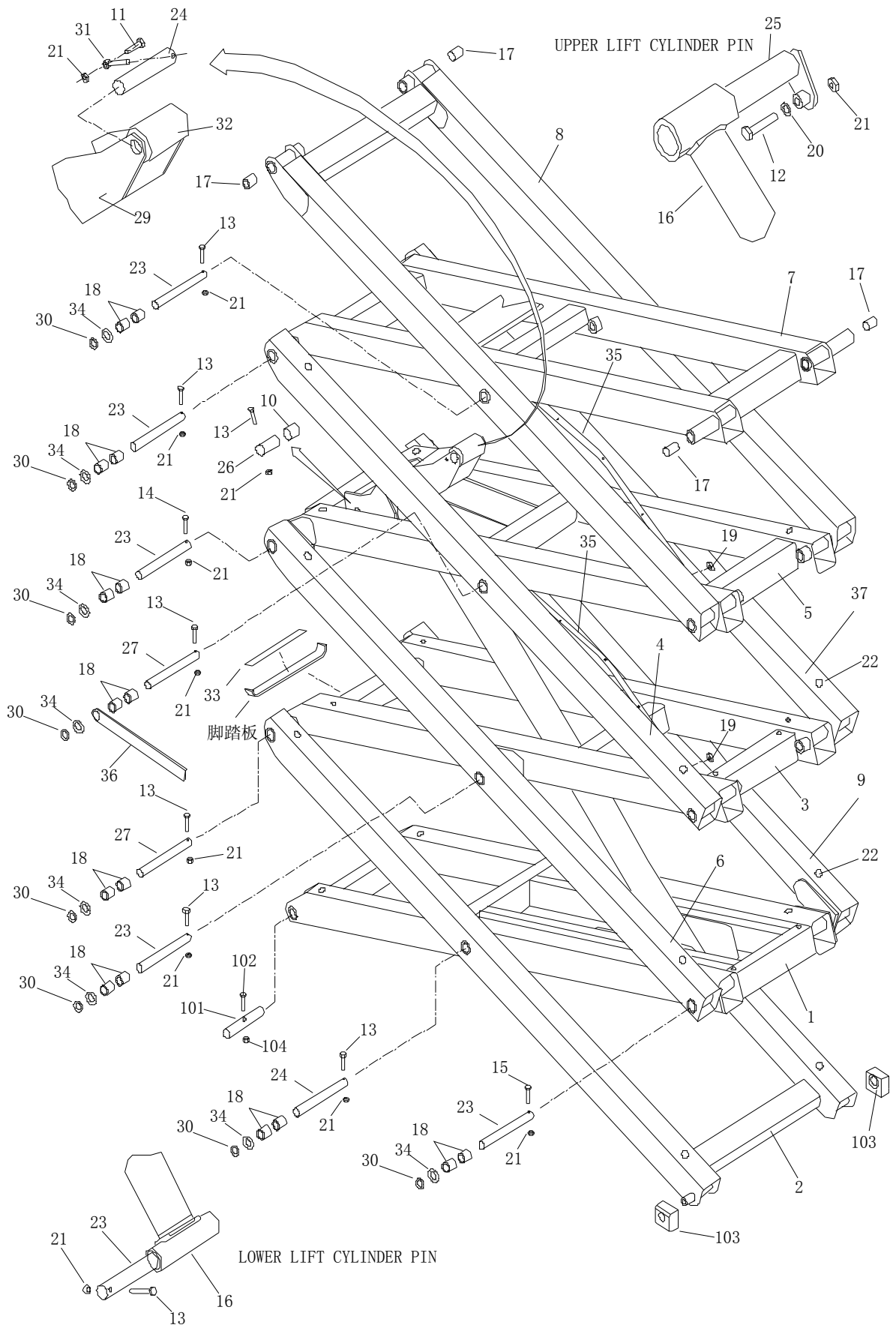


FIGURE 2-1 SCISSOR ARMS INSTALLATION

FIG—ITEM#	PART NUMBER	DESCRIPTION	QTY
		SCISSOR ARMS ASSEMBLIES	
1	JCPT8(I)-2200	Inboard Arm 1	1
2	JCPT8(I)-2600	Outboard Arm 1	1
3	JCPT8(I)-2300	Inboard Arm 2	1
4	JCPT8(I)-2800	Outboard Arm 3 (Right Side)	1
5	JCPT8(I)-2400	Inboard Arm 3	1
6	JCPT8(I)-2700	Outboard Arm 2 (Right Side)	1
7	JCPT8(I)-2500	Inboard Arm 4	1
8	JCPT8(I)-2900	Outboard Arm 4	1
9	JCPT8(I)-2700	Outboard Arm 2 (Left Side)	1
10	JCPT8(I)-1106	Bearing	2
11		Bolt M8X40	1
12		Bolt M10X70	1
13		Bolt M10X65	19
14		Bolt M10X95	2
15		Bolt M10X120	2
16		Lift Cylinder Assemble Options	1
17	JCPT8(I)-2506	Bearing	4
18	JCPT8(I)-2506	Bearing	40
19		nut M10	4
20		Flat washer 10	1
21		Nut M10	25
22	JCPT8(I)-2001	Adjust Screw	12
23	JCPT8(I)-2216	Shaft 2799	15
24	JCPT8(I)-2212	Shaft 2799/2	2
25	JCPT8(I)-4303	shaft	1
26	JCPT8(I)-2403	Shaft 3011	2
27	JCPT8(I)-2306	Shaft 3014	4
28	JCPT8(I)-2216	Shaft 2799	17
29	JCPT8(I)-2410	Kicker, Arm	1
30		Ring, Retaining 32	20
31	JCPT8(I)-2414	Keeper, Pin	1
32	JCPT8(I)-2413	Roller	1
33		Tap, Anti-skid	
34		Washer, Special	20
35	JCPT8(I)-2002	Carrier, Cable	2
36	JCPT8(I)-2802	Prop, safety	2
37	JCPT8(I)-2800	Outboard Arm 3 (Left Side)	1
		SCISSOR ARMS INSTALLATION	
101	JCPT8(I)-2210	Shaft 3017	2
102		Bolt M10X65	2
103	JCPT8(I)-2605	Pad, Slide	2
104		Locknut M10	2

SECTION 3 PLATFORM

FIGURE 3-2 RAIL INSTALLATION

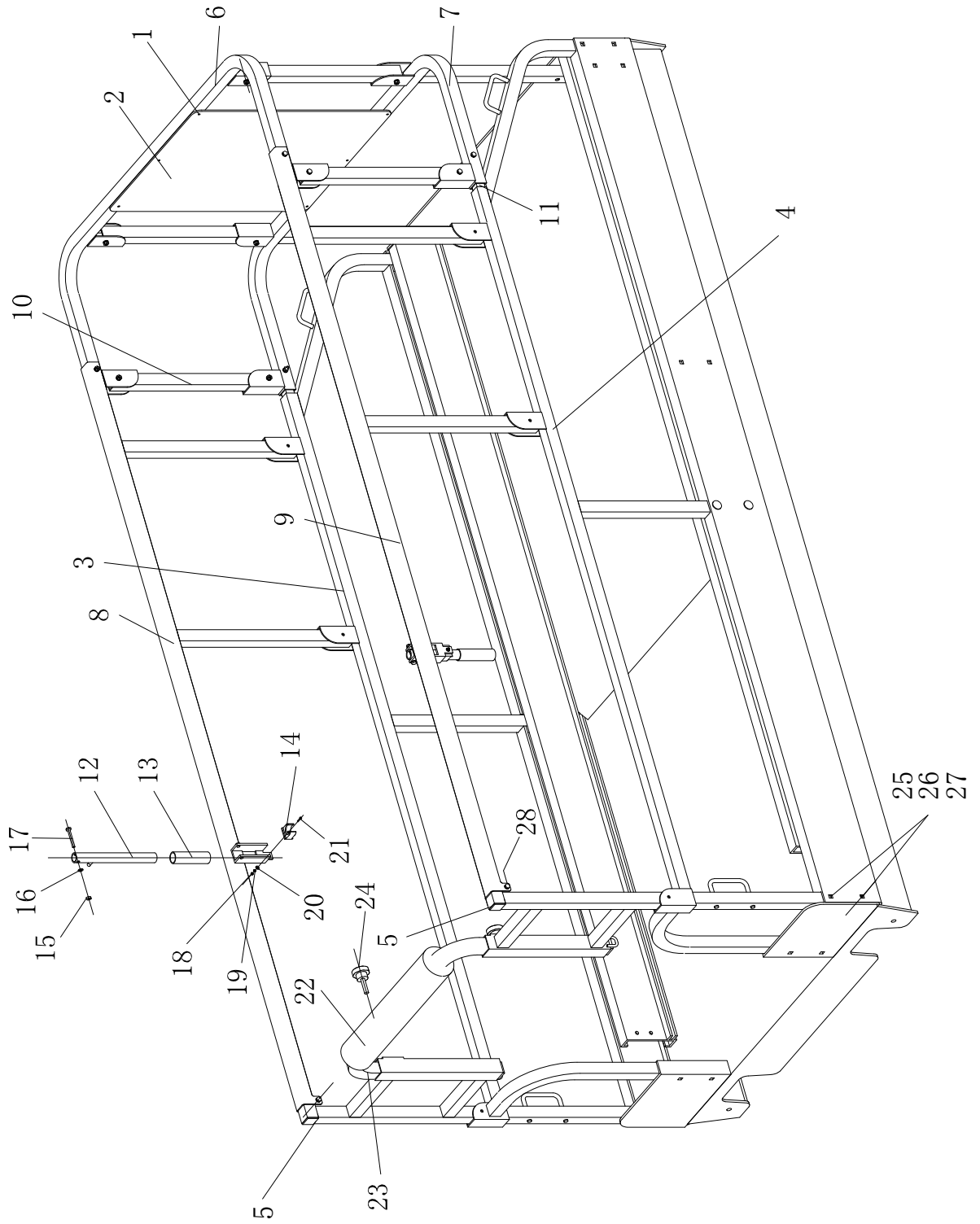


FIGURE 3-2 RAIL INSTALLATION

FIG—ITEM#	PART NUMBER	DESCRIPTION	QTY
		RAIL INSTALLATIONS	
1		Rivet	6
2	JCPT8(I)-3004	Billboard	1
3	JCPT8(I)-3400	Fixed Rail, Bottom (Left)	1
4	JCPT8(I)-3400	Fixed Rail, Bottom (Right)	1
5	JCPT8(I)-3400	Fixed Rail, Top	2
6	JCPT8(I)-3500	Extensive Rail, Top	1
7	JCPT8(I)-3500	Extensive Rail, Bottom	1
8	JCPT8(I)-3501	Rail, Slide (Left)	1
9	JCPT8(I)-3501	Rail, Slide (Right)	1
10	JCPT8(I)-3503	Rail	4
11	JCPT8(I)-3505	Tube, Slide	2
12	JCPT8(I)-3703	Handle	2
	JCPT8(I)-3704	Hook	2
13	JCPT8(I)-3705	Grip, Handle	2
14	JCPT8(I)-3702	Gripper	2
15		Cap nut M6	22
16		Flat washer 6mm	22
17		Screw M6X50	22
18		Nut M3	1
19		Thrust washer 3mm	1
20		Flat washer 3mm	1
21		Screw M3X15	2
22	JCPT8(I)-3007	Pad, Cover	1
23	JCPT8(I)-3001	Rail (Rear)	1
24	JCPT8(I)-3008	Roller Plunger	2
25	TLG-003	Bolt M10X50	20
26		Flat washer 10mm	20
27		Cap nut M10	20
28	JCPT8(I)-3506	Roller	2

SECTION 4 HYDRAULIC

FIGURE 4-1 HYDRAULIC DIAGRAM (LIFTING)

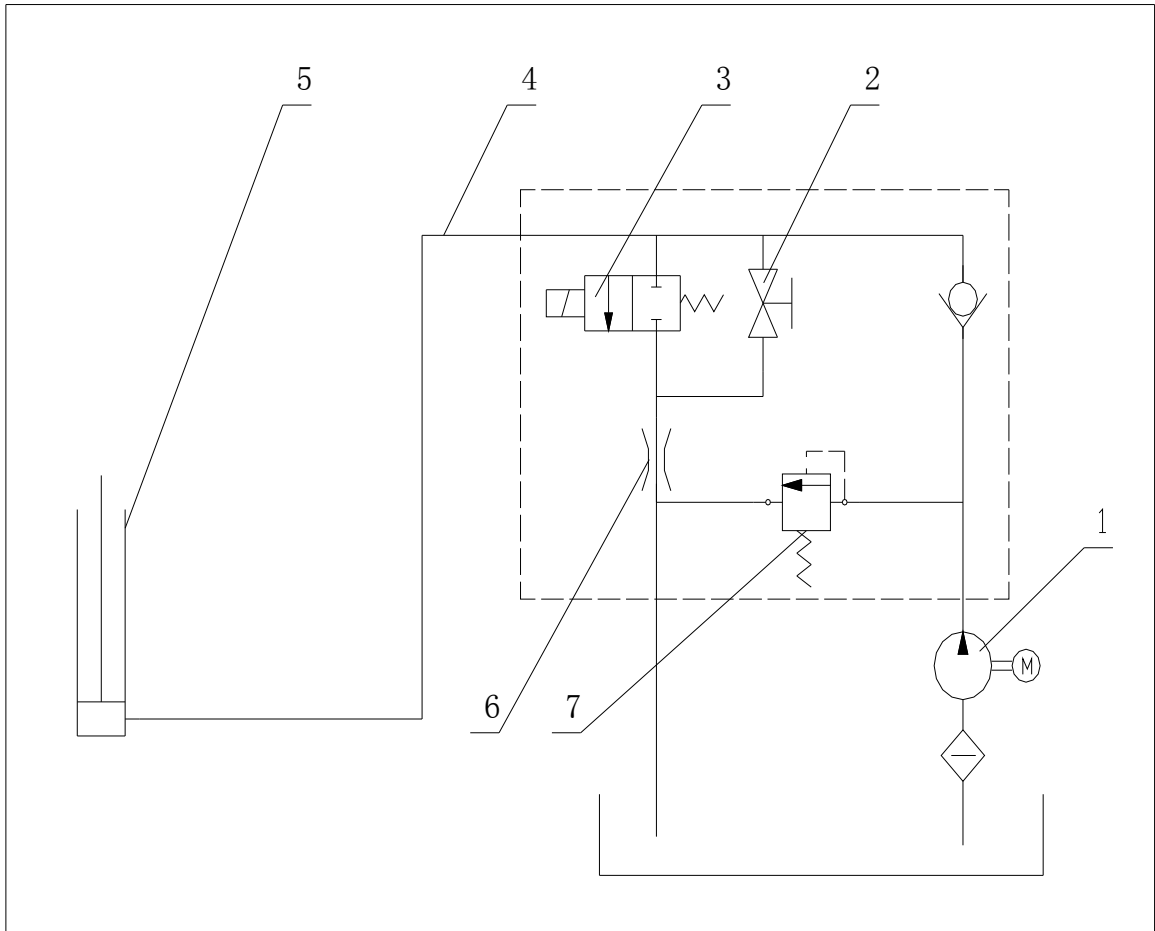


FIGURE 4-1 HYDRAULIC DIAGRAM (LIFTING)

FIG—ITEM#	PART NUMBER	DESCRIPTION	QTY
		HYDRAULIC DIAGRAM	
1		Hydraulic Power Pack	1
2		Emergency Lowering Valve	1
3		Solenoid Valve	1
4		Piping Assembly	1
5		Hydraulic Lifting Cylinder	1
6		Throttle Valve	1
7		Relief Valve	1

SECTION 5 CYLINDER

FIGURE 5-1 LIFT CYLINDER ASSEMBLY

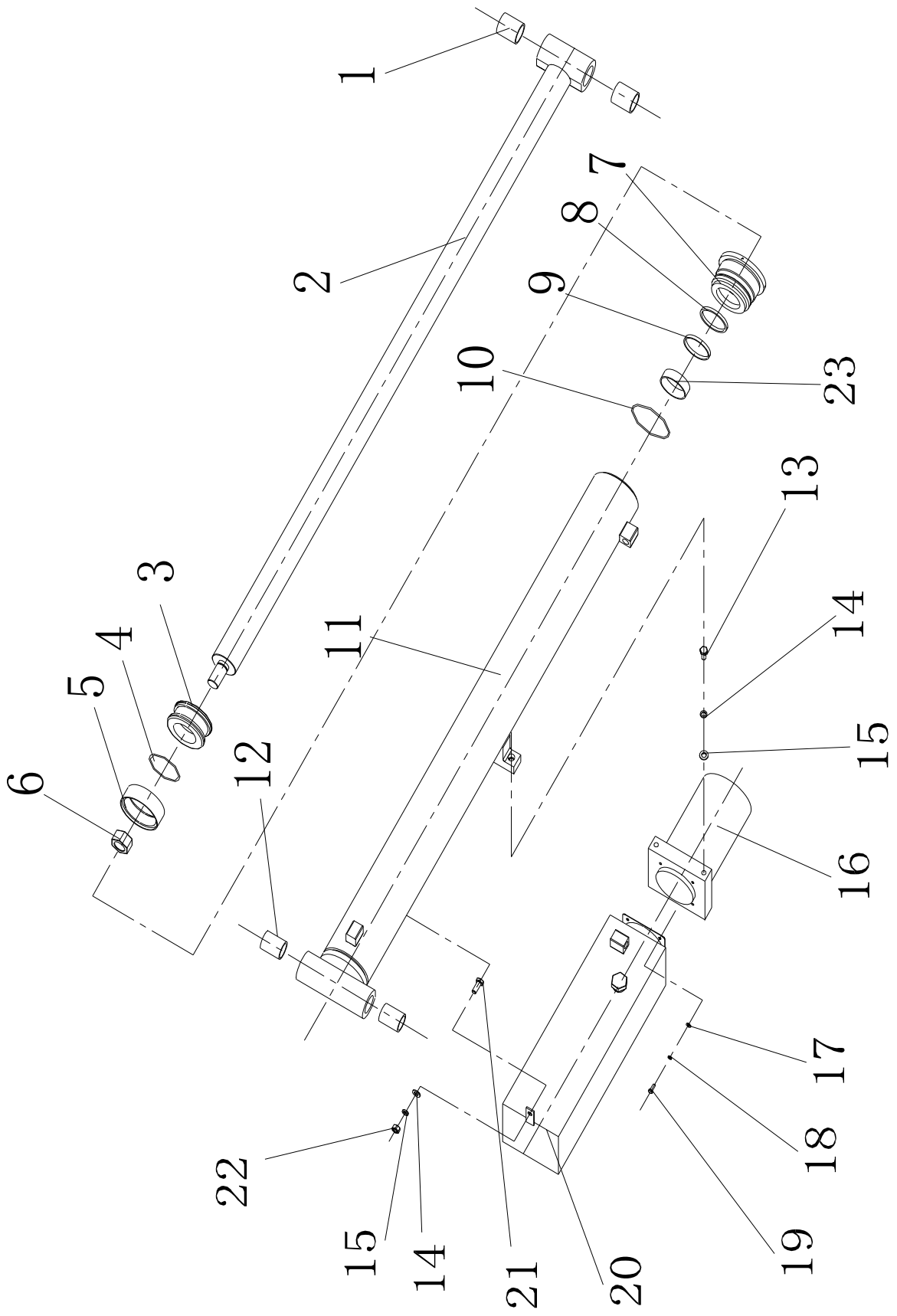


FIGURE 5-2 STEERING CYLINDER ASSEMBLY

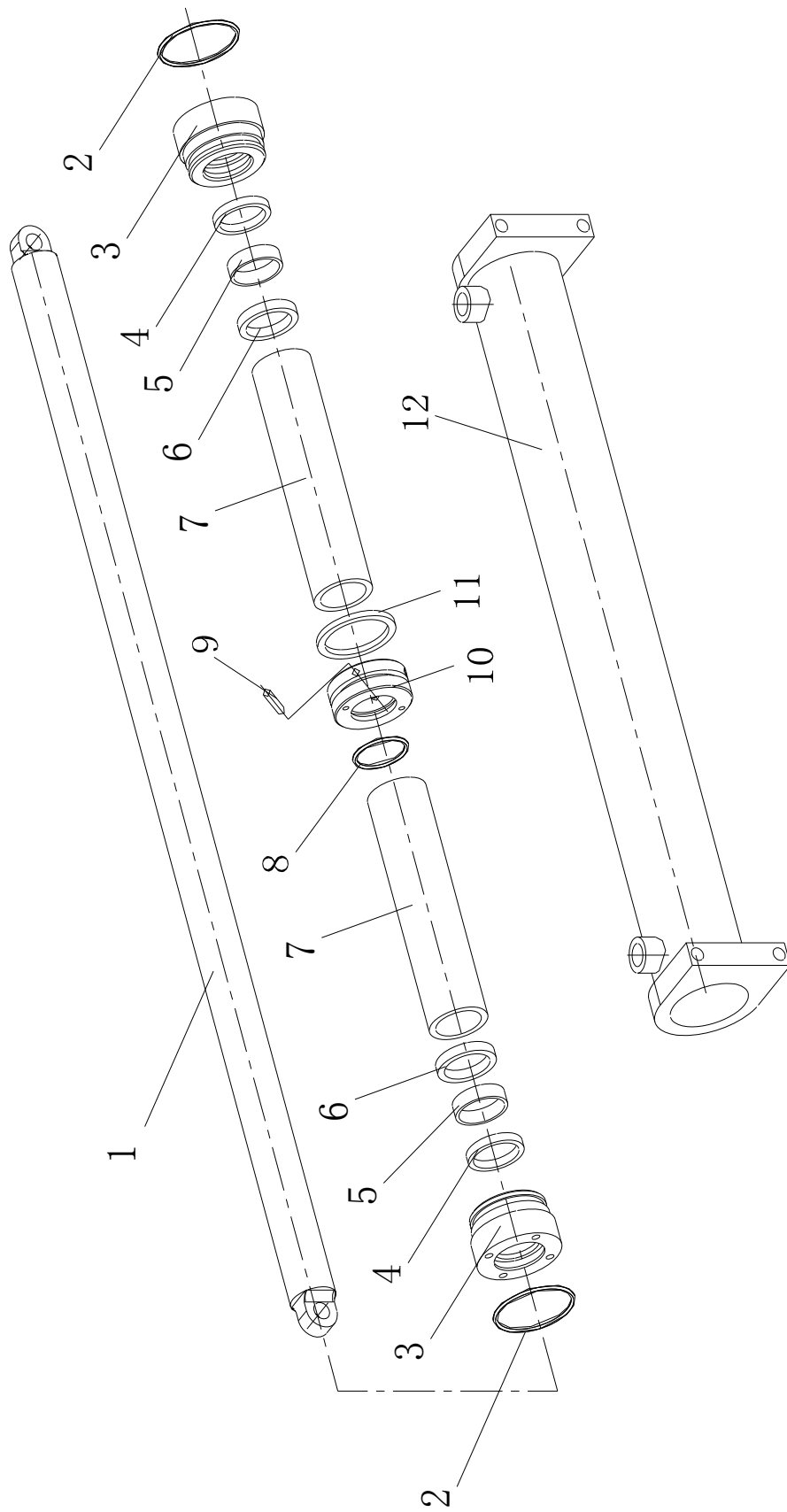


FIGURE 5-2 STEERING CYLINDER ASSEMBLY

FIG—ITEM#	PART NUMBER	DESCRIPTION	QTY
		STEERING CYLINDER ASSEMBLY	
1	JCPT8(I)-1303	Rod	1
2		O-Ring	2
3	JCPT8(I)-1301	Head	2
4	DH35	Seal	2
5	JCPT8(I)-1305	Supporting Ring	2
6	JCPT8(I)-1306	Seal Ring	2
7	JCPT8(I)-1307	Limit set	2
8		O-Ring	1
9		Pin	6
10	JCPT8(I)-1304	Piston	1
11	JCPT8(I)-1308	Seal	1
12	JCPT8(I)-1302	Barrel	1

SECTION 6 BATTERY ASSEMBLY

FIGURE 6-1 BATTERY ASSEMBLY

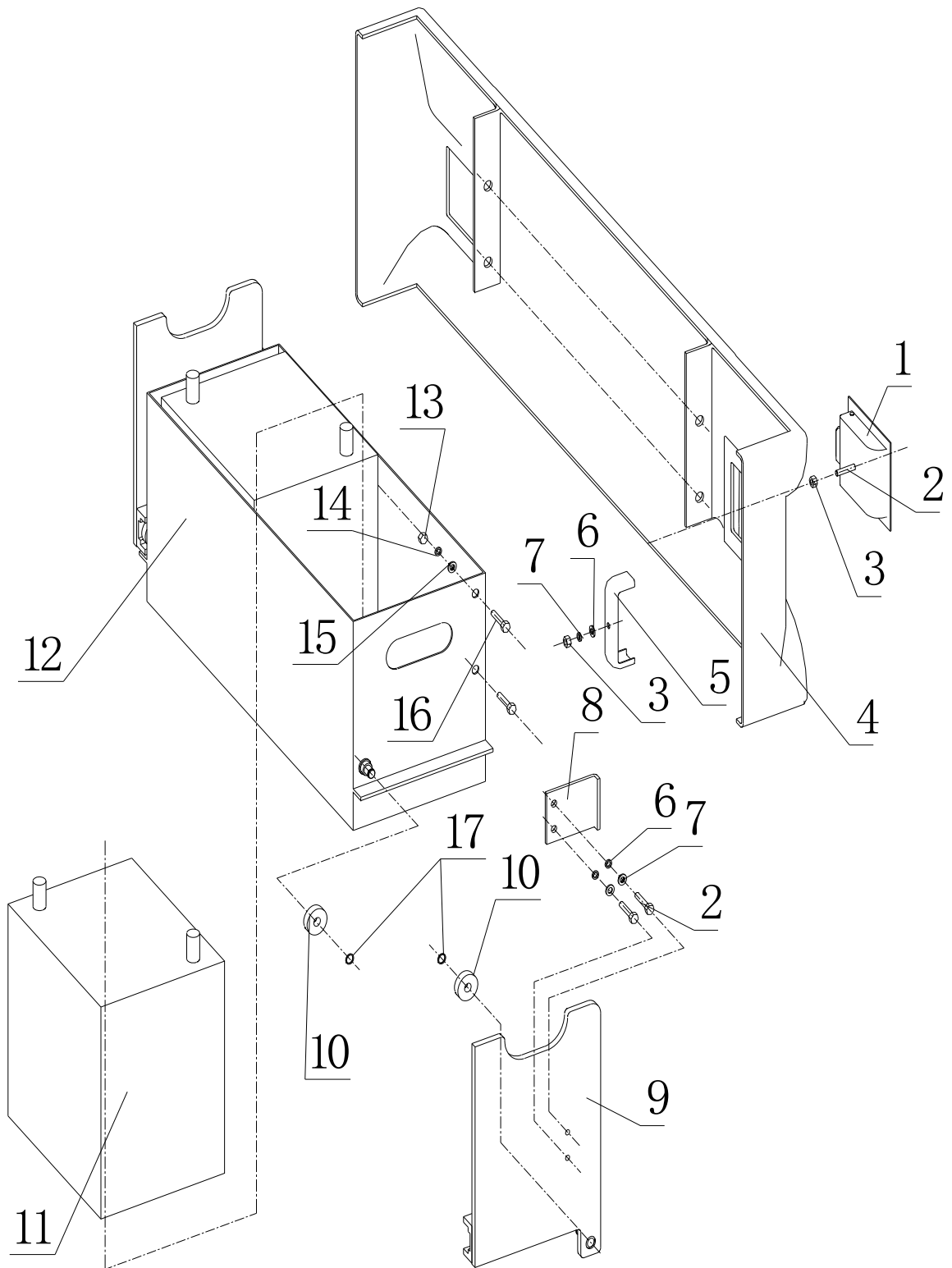
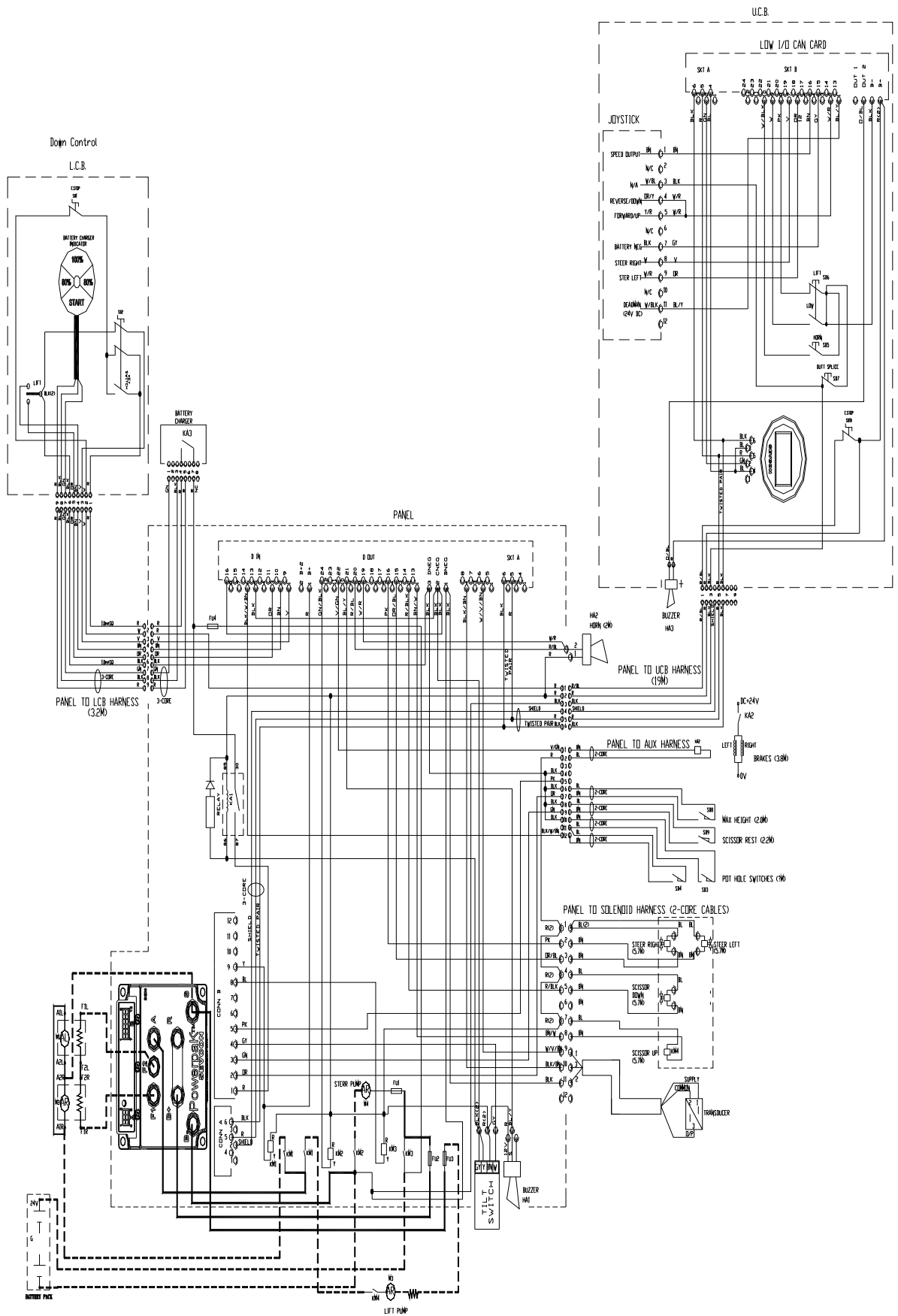


FIGURE 6-1 BATTERY ASSEMBLY

FIG—ITEM#	PART NUMBER	DESCRIPTION	QTY
		BATTERY ASSEMBLY	
1	JCPT8(I)-5200	Lock Assembly	4
2		Screw M6X30	12
3		Nut M6	8
4	JCPT8(I)-5001	Cover	2
5	JCPT8(I)-5002	Fixing	4
6		Flatwasher 6mm	12
7		Thrustwasher 6mm	12
8	JCPT8(I)-5107	Plate, Latch	4
9	JCPT8(I)-1129	Bttery Seat	4
	JCPT8(I)-5105	Rail Way	4
	JCPT8(I)-5106	Shaft 2	4
	JCPT8(I)-5103	Reinforce Plate	4
10		Bearing	8
11	JCPT8(I)-5101	Batteries	4
12	JCPT8(I)-5010	Batteries Box	2
	JCPT8(I)-5104	Shaft 1	4
	JCPT8(I)-5102	Slide Stop	
13		Nut M10	8
14		Thrustwasher 10mm	8
15		Flatwasher 10mm	8
16		Screw M10X25	8
17		Ring, Retaining	4

SECTION 7 ELECTRICAL

7-ELECTRICALSCHE



No.	Sign	Name/Function	Manufacturer	Model	Parameter	Attestation
1		Power pack	Sevcon	632G45616	24VDC	CE
2		Joystick	Sevcon	652/26098	24VDC	CE
3		Down Controlling	Sevcon	652/26099	24VDC	CE
4	G	Battery	ACDelco	3D-210	6V 210Ah	CE
5	M1	Right Driving	Metalrota	M127	24VDC	CE
6	M2	Left Driving	Metalrota	M127	24VDC	CE
7	M3	Lift Pump	Winner	W800664	24V,3KW	CE
8	M4	Steer Pump	Winner	W8010	24V,2KW	CE
9	HA1	Horn	ZheJiangQiChe	DL125G	24VDC	CE
10	HA2	Buzzer	Schneider	SHD 4216	24VDC	CE
11	HA3	Buzzer	Schneider	SHD 4216	24VDC	CE
12	KA1	Relay	Omron	MY2NJ	24VDC	CE
13	KA2	Relay	Omron	MY2NJ	24VDC	CE
14	KA3	Charger	Sevcon	27SEV03V052	24VDC	CE
15	FU1	Fuse	Start Technology	RT 24V	24VDC	CE
16	FU2	Fuse	Start Technology	RT 24V	24VDC	CE
17	FU3	Fuse	Start Technology	RT 24V	24VDC	CE
18	SB1	E.stop	Schneider	ZB2-BE102C	24VDC	CE
19	SB2	Key	Schneider	ZB2-BE101C	24VDC	CE
20	SB3	Right Pot Hole	Matasushita	AZ8104 5A	24VDC	CE
21	SB4	Left Pot Hole	Matasushita	AZ8104 5A	24VDC	CE
22	SB5	Horn	Schneider	AZ8104 5A	24VDC	CE
23	SB6	Lift, Low	Schneider	AZ8104 5A	24VDC	CE
24	SB7	Butt Splice	Schneider	AZ8104 5A	24VDC	CE
25	SB8	Max Height Switch	Schneider	AZ8104 5A	24VDC	CE
26	SB9	Scissor Rest Switch	Schneider	AZ8104 5A	24VDC	CE
27	SB10	E.stop	Schneider	ZB2-BE102C	24VDC	CE
28	KM1	Contactora	Schneider	CA2DN40B5N	24VDC	CE
29	KM2	Contactora	Schneider	CA2DN40B5N	24VDC	CE
30	KM3	Contactora	Schneider	CA2DN40B5N	24VDC	CE

SECTION 8 EASY WEARED PARTS

FIG—ITEM#	PART NUMBER	DESCRIPTION	QTY
CHANSIS			
1	JCPT8(I)-1113	Bearing	4
2	JCPT8(I)-1106	Bearing	4
3	JCPT8(I)-1325	Key	4
4	JCPT8(I)-1303	Bearing	8
5	JCPT8(I)-1328	Copper Gasket	2
6	JCPT8(I)-1332	Rubber Blanket 1	2
7	JCPT8(I)-1333	Rubber Blanket 2	2
8	JCPT8(I)-1208	Roller	2
9	JCPT8(I)-2105	Spring	2
10	180206	Bearing	4
SCISSOR ARMS			
11	JCPT8(I)-1106	Bearing	2
12	JCPT8(I)-2506	Bearing	44
13	JCPT8(I)-2001	Adjust Screw	24
14	JCPT8(I)-2413	Roller	1
15	JCPT8(I)-2605	Pad, Slide	2
PLATFORM			
16	JCPT8(I)-2504	Pad, Slide	4
17	JCPT8(I)-3106	Roller	4
18	JCPT8(I)-3702	Gripper	2
19	JCPT8(I)-3506	Roller	2
HYDRAULIC SYSTEM			
20		All of O-Ring	5
21	DAS100-086	Sealed Ring	1
22	DH63	Seal	1
23	UHS63	Seal	1
24	JCPT8(I)-4205	Bearing	4
25	JCPT8(I)-4206	Supporting Ring	1
26	DH35	Seal	2
27	JCPT8(I)-1305	Supporting Ring	2
28	JCPT8(I)-1306	Seal Ring	2
29		Pin	6
30	JCPT8(I)-1308	Seal	1
BATTERY ASSEMBLY			
31	JCPT8(I)-5200	Lock Assembly	4
32	160200	Bearing	8