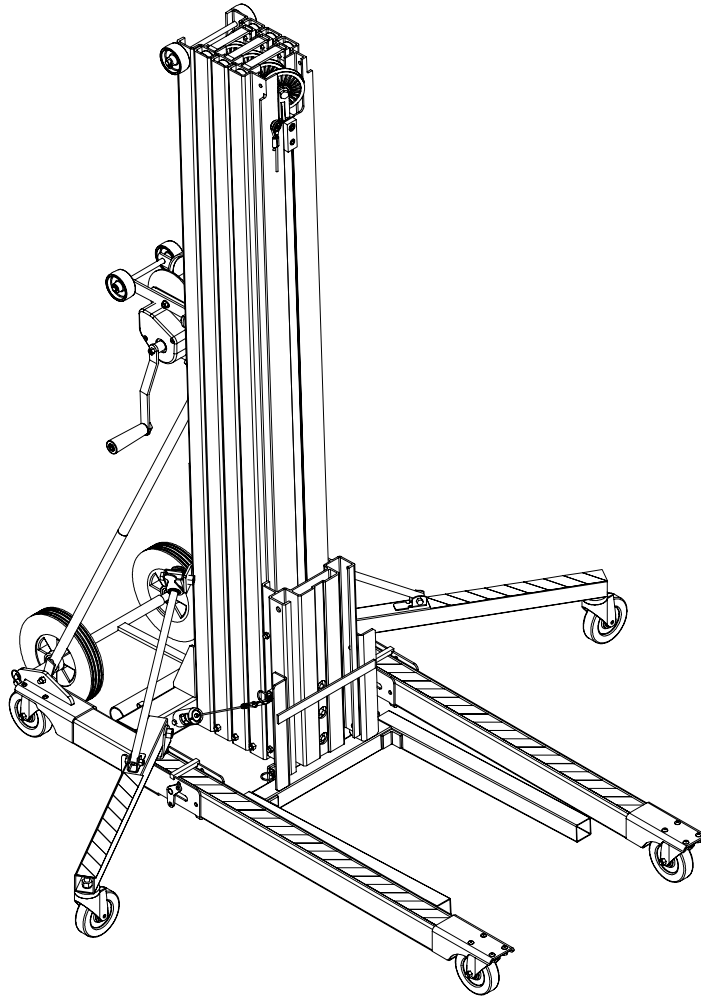


July 2004

PARTS MANUAL

SERIES 2100

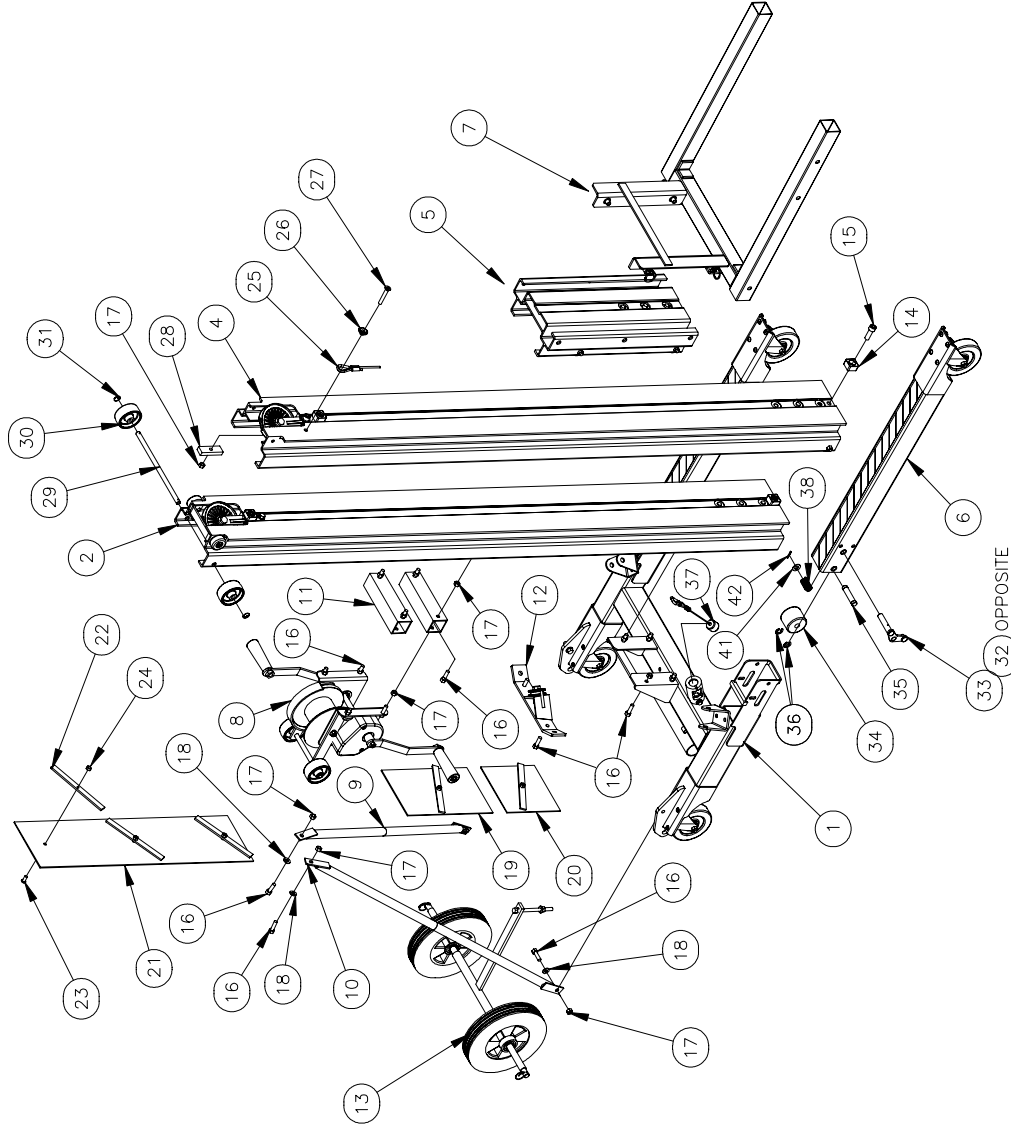
CONTRACTOR LIFT



SUMNER[®]

7514 Alabonson Rd. Houston, Texas 77088 281-999-6900 281-999-6966 (fax)
51A Caldari Rd., #16 Concord, Ontario L4K 4G3 905-775-0305 905-775-4275 (fax)
Unit F1 Halesfield 4 Telford, Shropshire, UK TF7 4AP 011-44-1952-585671 (fax)

2112 CONTRACTOR LIFT ASSEMBLY



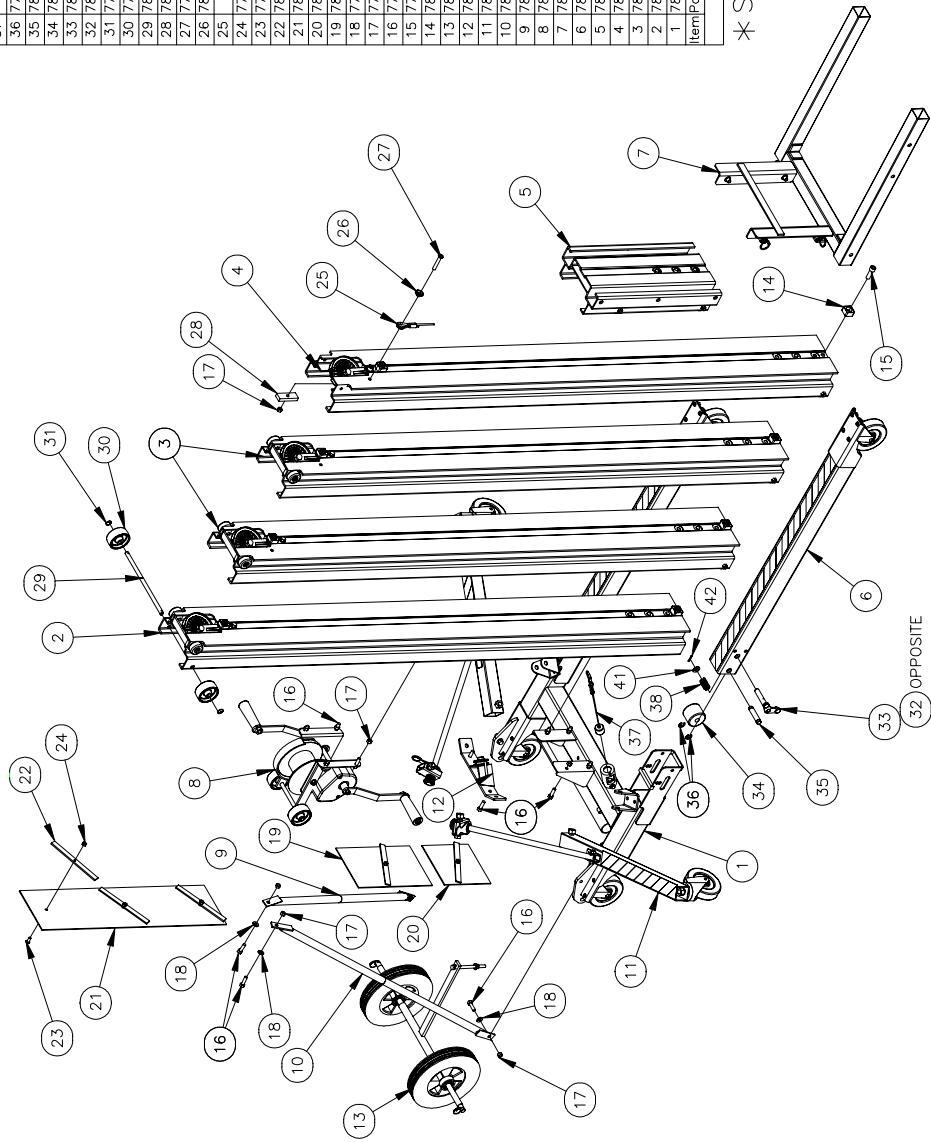
| | | | |
|------|----------|-----|--------------------------------|
| 42 | 774095 | 2 | ROLL PIN 1/8 x 1 |
| 41 | 773028 | 2 | FLAT WASHER 5/8 |
| 40 | 783671 | 1 | COMMON LABELS (NOT SHOWN) |
| 39 | 778370 | 2 | MODEL NO. LABEL (NOT SHOWN) |
| 38 | 776215 | 2 | SPRING |
| 37 | 783698 | 1 | MAST LATCH ASSEMBLY |
| 36 | 776077 | 4 | RETAINER 5133-62 |
| 35 | 783644 | 2 | SHAFT |
| 34 | 783569 | 2 | ROLLER |
| 33 | 783673 | 1 | LEG LOCK WELDMENT (RIGHT SIDE) |
| 32 | 783681 | 1 | LEG LOCK WELDMENT (LEFT SIDE) |
| 31 | 774053 | 2 | RING COTTER 3/4φ |
| 30 | 779012 | 2 | 3" ROLLER |
| 29 | 783620 | 1 | ROLLER SHAFT |
| 28 | 783551 | 1 | LOCK BLOCK |
| 27 | 771248 | 1 | FHCS 3/8 - 16 x 2 |
| 26 | 782910 | 1 | RETAINER WASHER |
| 25 | 783628 | 1 | LOAD LINE ASSEMBLY |
| 24 | 772502 | 5 | INSERT JAM LOCKNUT 5/16 - 18 |
| 23 | 771020 | 5 | BHCS 5/16 - 18 x 3/4 |
| 22 | 783545 | 5 | STRAP |
| 21 | 783506 | 1 | UPPER MAST COVER |
| 20 | 783504 | 1 | LOWER MAST COVER |
| 19 | 783505 | 1 | CENTER MAST COVER |
| 18 | 773040 | 4 | WASHER FL 3/8 |
| 17 | 772355 | 19 | INSERT LOCKNUT 3/8 - 16 |
| 16 | 771060 | 18 | HHCS 3/8 - 16 x 1-1/4 |
| 15 | 771257 | 2 | SHCS 1/2 - 13 x 1-1/2 |
| 14 | 783575 | 2 | STOP BLOCK |
| 13 | 783667 | 1 | 10" WHEEL KIT |
| 12 | 783582 | 1 | SPREADER PLATE ASSEMBLY |
| 11 | 783552 | 2 | STANDOFF |
| 10 | 780820 | 1 | MAST BRACE - RH |
| 9 | 780819 | 1 | MAST BRACE - LH |
| 8 | 783590 | 1 | MX WINCH ASSEMBLY W/ HANDLES |
| 7 | 783653 | 1 | STD FORK ASSEMBLY |
| 6 | 783678 | 2 | LEG ASSEMBLY |
| 5 | 783682 | 1 | CARRIAGE ASSEMBLY |
| 4 | 783683 | 1 | TOP MAST ASSEMBLY |
| 2 | 783660 | 1 | BOTTOM MAST ASSEMBLY |
| 1 | 783659 | 1 | BASE ASSEMBLY |
| Item | Part No. | Qty | Description |

Parts List

2118 / 2124 CONTRACTOR LIFT ASSEMBLY

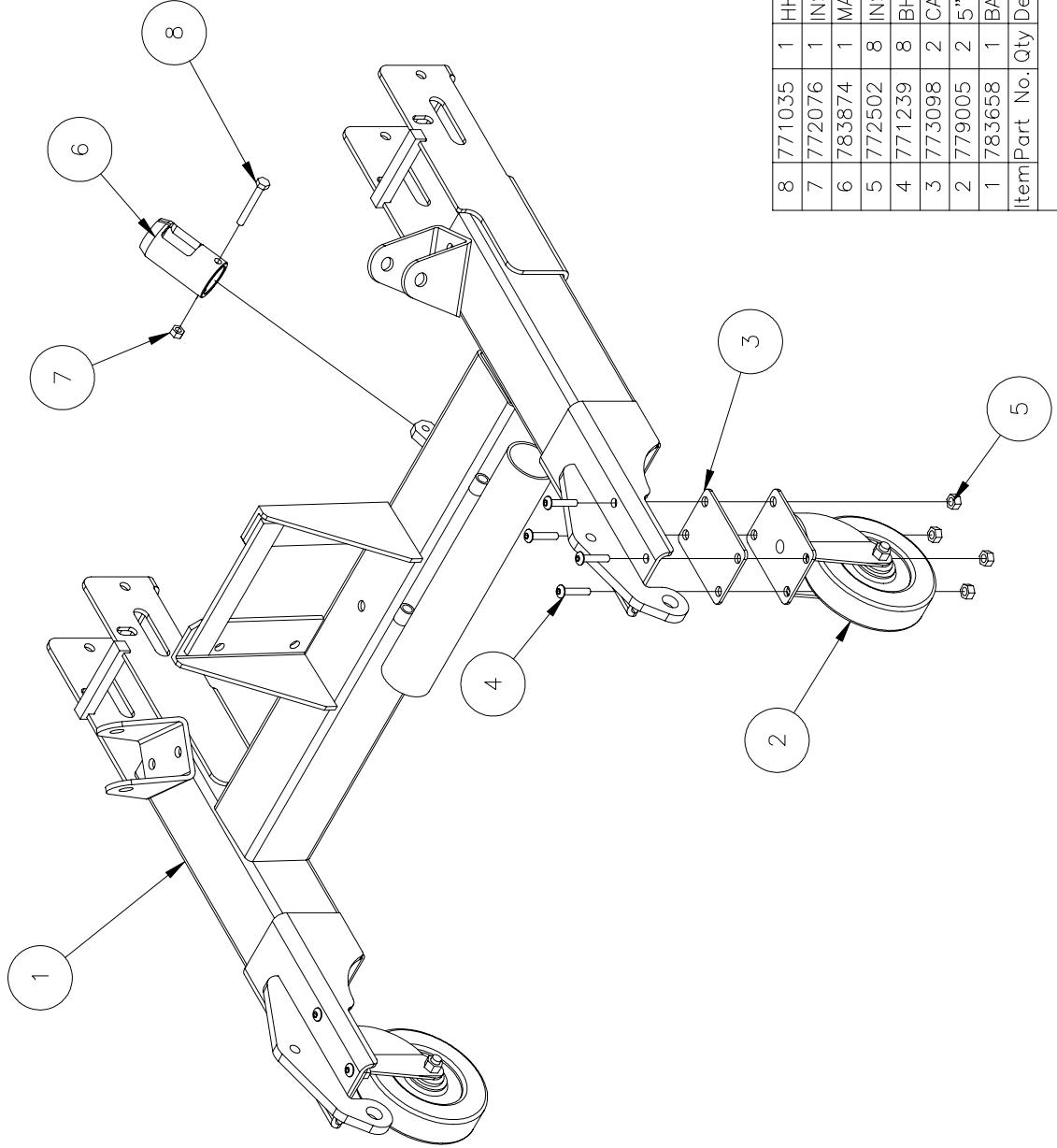
| | | | |
|-------------------|--------|----|--------------------------------|
| 42 | 774095 | 2 | ROLL PIN 1/8 x 1 |
| 41 | 773028 | 2 | FLAT WASHER 5/8 |
| 40 | 783671 | 1 | COMMON LABELS (NOT SHOWN) |
| 39 | * | 2 | MODEL NO. LABEL (NOT SHOWN) * |
| 38 | 776215 | 2 | SPRING |
| 37 | * | 1 | MAST LATCH ASSEMBLY * |
| 36 | 776077 | 4 | RETAINER 5133-62 |
| 35 | 783644 | 2 | SHAFT |
| 34 | 783569 | 2 | ROLLER |
| 33 | 783673 | 1 | LEG LOCK WELDMENT (RIGHT SIDE) |
| 32 | 783681 | 1 | LEG LOCK WELDMENT (LEFT SIDE) |
| 31 | 774053 | 2 | RING COTTER 3/4" |
| 30 | 779012 | 2 | 3" ROLLER |
| 29 | 783620 | 1 | ROLLER SHAFT |
| 28 | 783551 | 1 | LOCK BLOCK |
| 27 | 771248 | 1 | FHSC 3/8 - 16 x 2 |
| 26 | 782910 | 1 | RETAINER WASHER |
| 25 | * | 1 | LOAD LINE ASSEMBLY * |
| 24 | 772502 | 5 | INSERT JAM LOCKNUT 5/16 - 18 |
| 23 | 771020 | 5 | BHCS 5/16 - 18 x 3/4 |
| 22 | 783545 | 5 | STRAP |
| 21 | 783506 | 1 | UPPER MAST COVER |
| 20 | 783504 | 1 | LOWER MAST COVER |
| 19 | 783505 | 1 | CENTER MAST COVER |
| 18 | 773040 | 4 | WASHER FL 3/8 |
| 17 | 772355 | 15 | INSERT LOCKNUT 3/8 - 16 |
| 16 | 771060 | 14 | IHCS 3/8 - 16 x 1-1/4 |
| 15 | 771257 | * | IHCS 1/2 - 13 x 1-1/2 * |
| 14 | 783575 | * | STOP BLOCK * |
| 13 | 783667 | 1 | 10" WHEEL KIT |
| 12 | 783582 | 1 | SPREADER PLATE ASSEMBLY |
| 11 | 783679 | 1 | OUTRIGGER ASSEMBLY |
| 10 | 780820 | 1 | MAST BRACE - RH |
| 9 | 780819 | 1 | MAST BRACE - LH |
| 8 | 783590 | 1 | WX WINCH ASSEMBLY W/ HANDLES |
| 7 | 783653 | 1 | STD FORK ASSEMBLY |
| 6 | 783666 | 2 | LEG ASSEMBLY |
| 5 | 783682 | 1 | CARRIAGE ASSEMBLY |
| 4 | 783683 | 1 | TOP MAST ASSEMBLY |
| 3 | 783662 | * | CENTER MAST ASSEMBLY * |
| 2 | 783660 | 1 | BOTTOM MAST ASSEMBLY |
| 1 | 783659 | 1 | BASE ASSEMBLY |
| Item/Part No./Qty | | | Description |
| Parts List | | | |

* SEE APPLICATION CHART



| APPLICATION CHART | | | |
|-------------------|------------|------------|--|
| ITEM | MODEL 2118 | MODEL 2124 | |
| 3 | QTY 1 | QTY 2 | |
| 14 | QTY 3 | QTY 4 | |
| 15 | QTY 3 | QTY 4 | |
| 25 | 783629 | 783630 | |
| 37 | 783697 | 783696 | |
| 39 | 778371 | 778372 | |

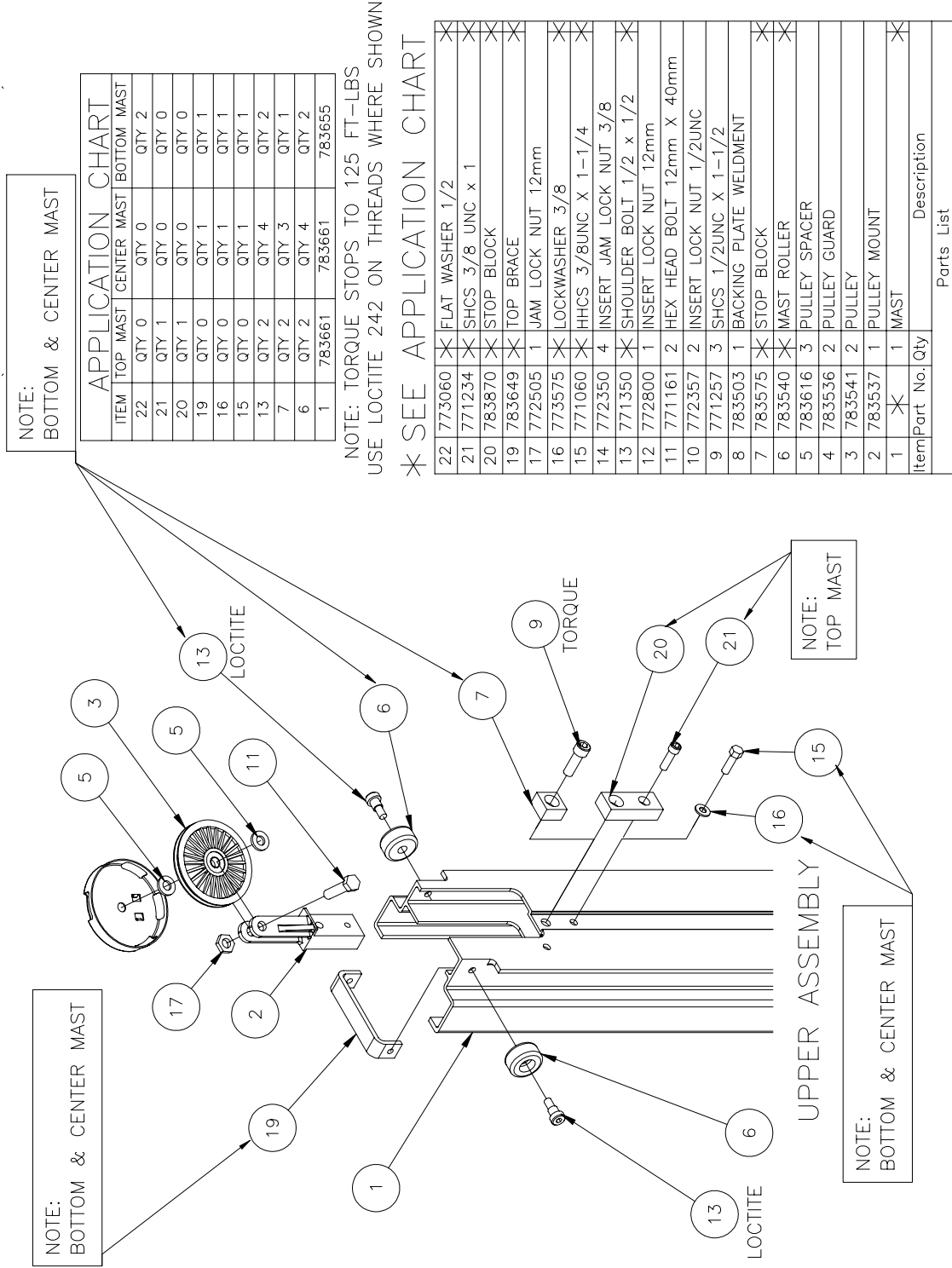
783659 – BASE ASSEMBLY



| Item | Part No. | Qty | Description |
|------|----------|-----|------------------------|
| 8 | 771035 | 1 | HHCS 1/4-20 x 2 |
| 7 | 772076 | 1 | INSERT LOCKNUT 1/4-20 |
| 6 | 783874 | 1 | MAST LATCH |
| 5 | 772502 | 8 | INSERT LOCKNUT 5/16-18 |
| 4 | 771239 | 8 | BHSC 5/16-18 X 3/4 |
| 3 | 773098 | 2 | CASTER SPACER |
| 2 | 779005 | 2 | 5" SWIVEL CASTER |
| 1 | 783658 | 1 | BASE WELDMENT |

Parts List

MAST ASSEMBLY, UPPER



NOTE: BOTTOM & CENTER MAST

| APPLICATION CHART | | | |
|-------------------|----------|-------------|-------------|
| ITEM | TOP MAST | CENTER MAST | BOTTOM MAST |
| 22 | QTY 0 | QTY 0 | QTY 2 |
| 21 | QTY 1 | QTY 0 | QTY 0 |
| 20 | QTY 1 | QTY 0 | QTY 0 |
| 19 | QTY 0 | QTY 1 | QTY 1 |
| 16 | QTY 0 | QTY 1 | QTY 1 |
| 15 | QTY 0 | QTY 1 | QTY 1 |
| 13 | QTY 2 | QTY 4 | QTY 2 |
| 7 | QTY 2 | QTY 3 | QTY 1 |
| 6 | QTY 2 | QTY 4 | QTY 2 |
| 1 | 783661 | 783661 | 783655 |

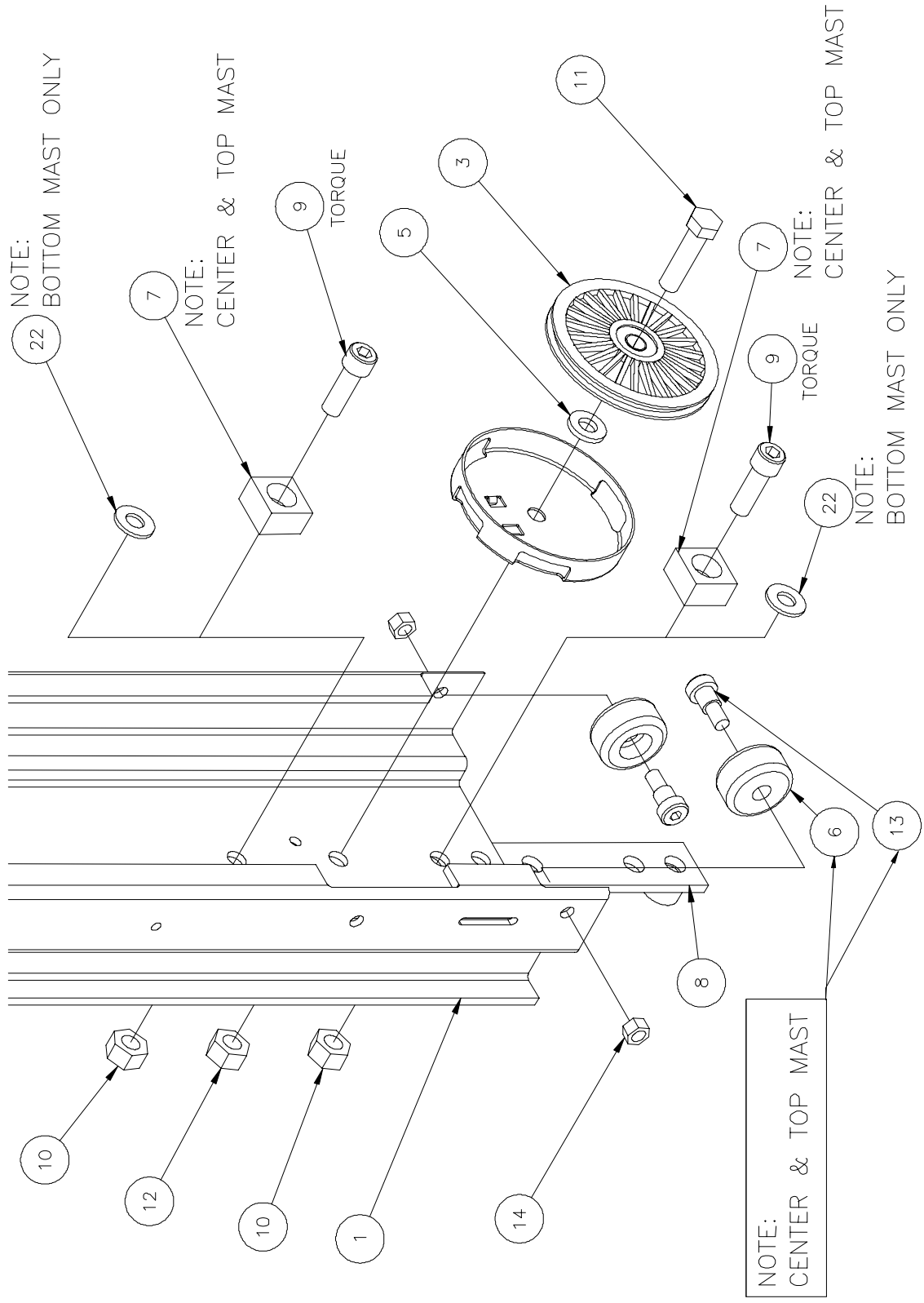
NOTE: TORQUE STOPS TO 125 FT-LBS
USE LOCTITE 242 ON THREADS WHERE SHOWN

* SEE APPLICATION CHART

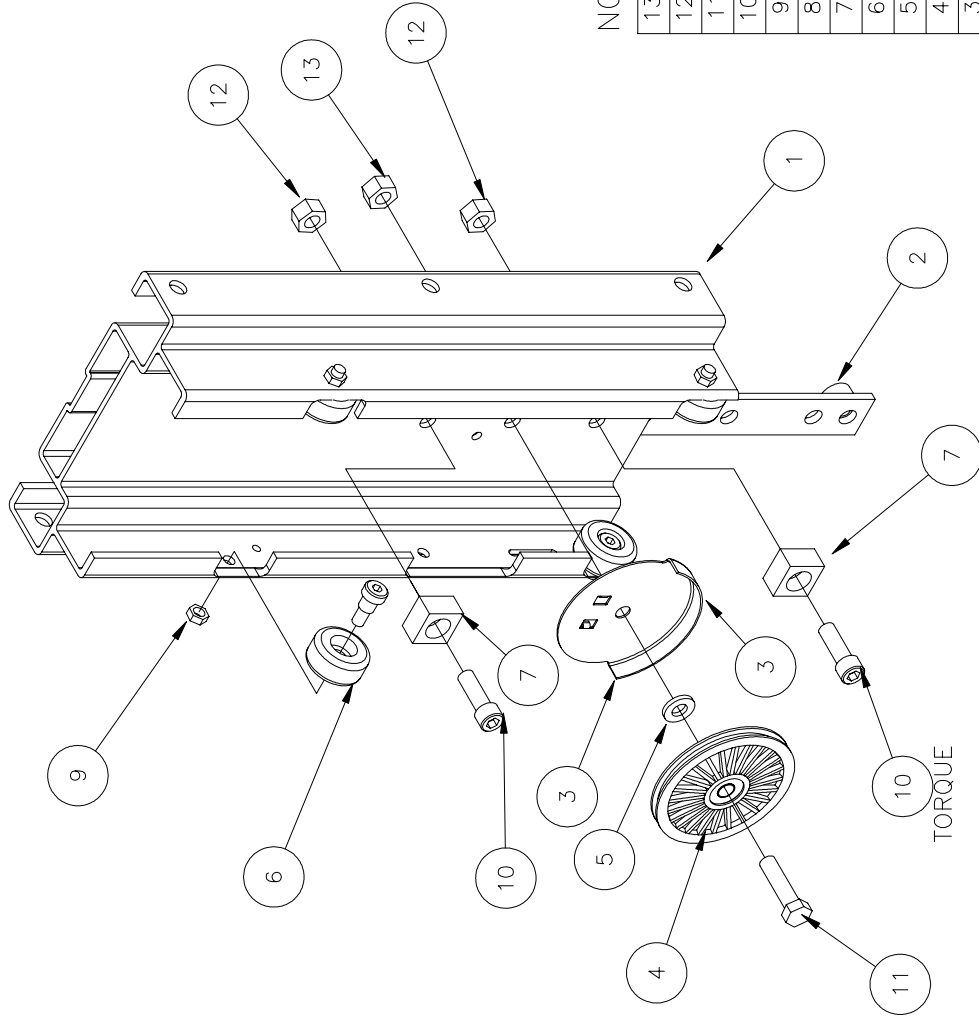
| | | | |
|----|--------|---------------------------|---|
| 22 | 773060 | FLAT WASHER 1/2 | X |
| 21 | 771234 | SHCS 3/8 UNC x 1 | X |
| 20 | 783870 | STOP BLOCK | X |
| 19 | 783649 | TOP BRACE | X |
| 17 | 772505 | JAM LOCK NUT 12mm | X |
| 16 | 773575 | LOCKWASHER 3/8 | X |
| 15 | 771060 | HHCS 3/8UNC X 1-1/4 | X |
| 14 | 772350 | INSERT JAM LOCK NUT 3/8 | X |
| 13 | 771350 | SHOULDER BOLT 1/2 x 1-1/2 | X |
| 12 | 772800 | INSERT LOCK NUT 12mm | X |
| 11 | 771161 | HEX HEAD BOLT 12mm X 40mm | X |
| 10 | 772357 | INSERT LOCK NUT 1/2UNC | X |
| 9 | 771257 | SHCS 1/2UNC X 1-1/2 | X |
| 8 | 783503 | BACKING PLATE WELDMENT | X |
| 7 | 783575 | STOP BLOCK | X |
| 6 | 783540 | MAST ROLLER | X |
| 5 | 783616 | PULLEY SPACER | X |
| 4 | 783536 | PULLEY GUARD | X |
| 3 | 783541 | PULLEY | X |
| 2 | 783537 | PULLEY MOUNT | X |
| 1 | X | MAST | X |

| Item | Part No. | Qty | Description |
|------------|----------|-----|-------------|
| Parts List | | | |

MAST ASSEMBLY, LOWER



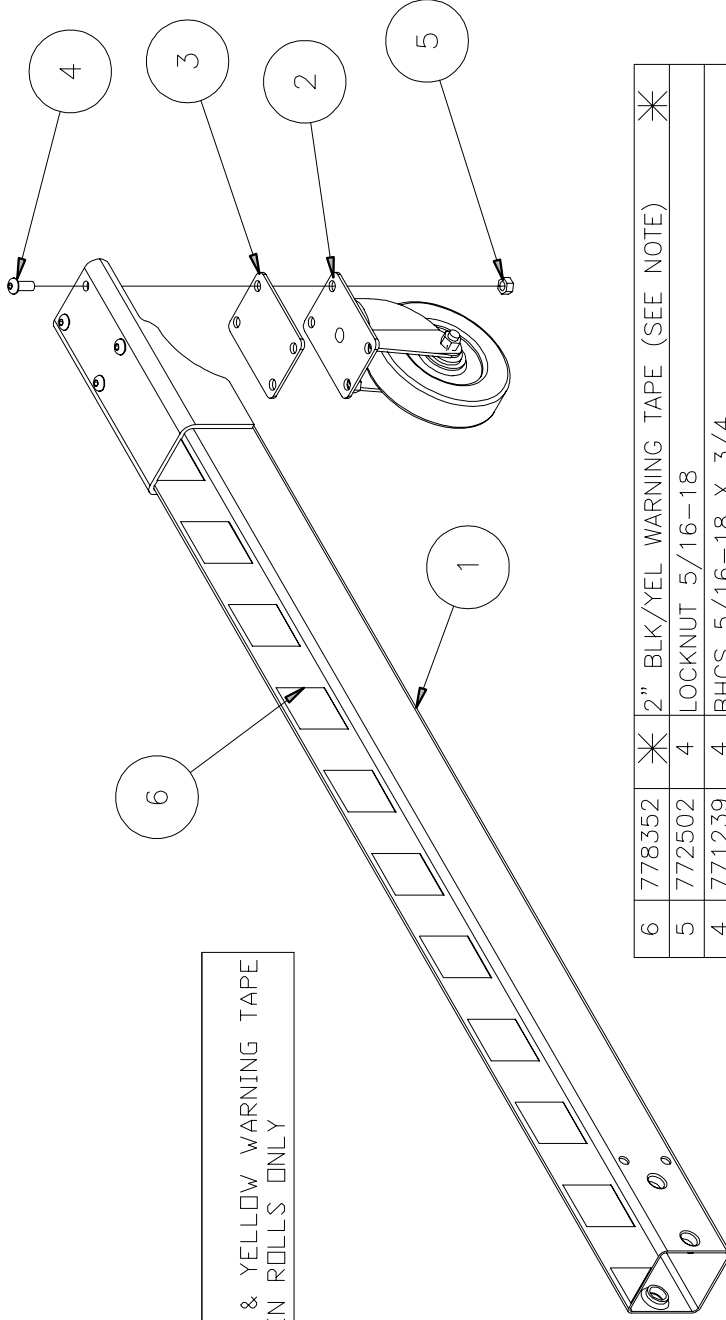
783682 – CARRIAGE ASSEMBLY



NOTE: TORQUE STOPS TO 125 FT-LBS

| Item | Part No. | Qty | Description |
|------|----------|-----|---------------------------|
| 13 | 772800 | 1 | INSERT LOCKNUT 12mm |
| 12 | 772357 | 2 | INSERT LOCKNUT 1/2-13 |
| 11 | 771161 | 1 | HHCS-12mm X 40mm |
| 10 | 771257 | 2 | SHCS 1/2-13 X 1-1/2 |
| 9 | 772350 | 4 | INSERT JAM LOCKNUT 3/8-16 |
| 8 | 771350 | 4 | SHOULDER BOLT 1/2 x 1/2 |
| 7 | 783575 | 2 | STOP BLOCK |
| 6 | 783540 | 4 | MAST ROLLER |
| 5 | 783616 | 1 | PULLY SPACER |
| 4 | 783541 | 1 | PULLEY W/ BEARING |
| 3 | 783536 | 1 | PULLEY GUARD |
| 2 | 783503 | 1 | BACKING PLATE WELDMENT |
| 1 | 783534 | 1 | CARRIAGE, UNIVERSAL |
| | | | Parts List |

783678 / 783666 – LEG ASSEMBLY



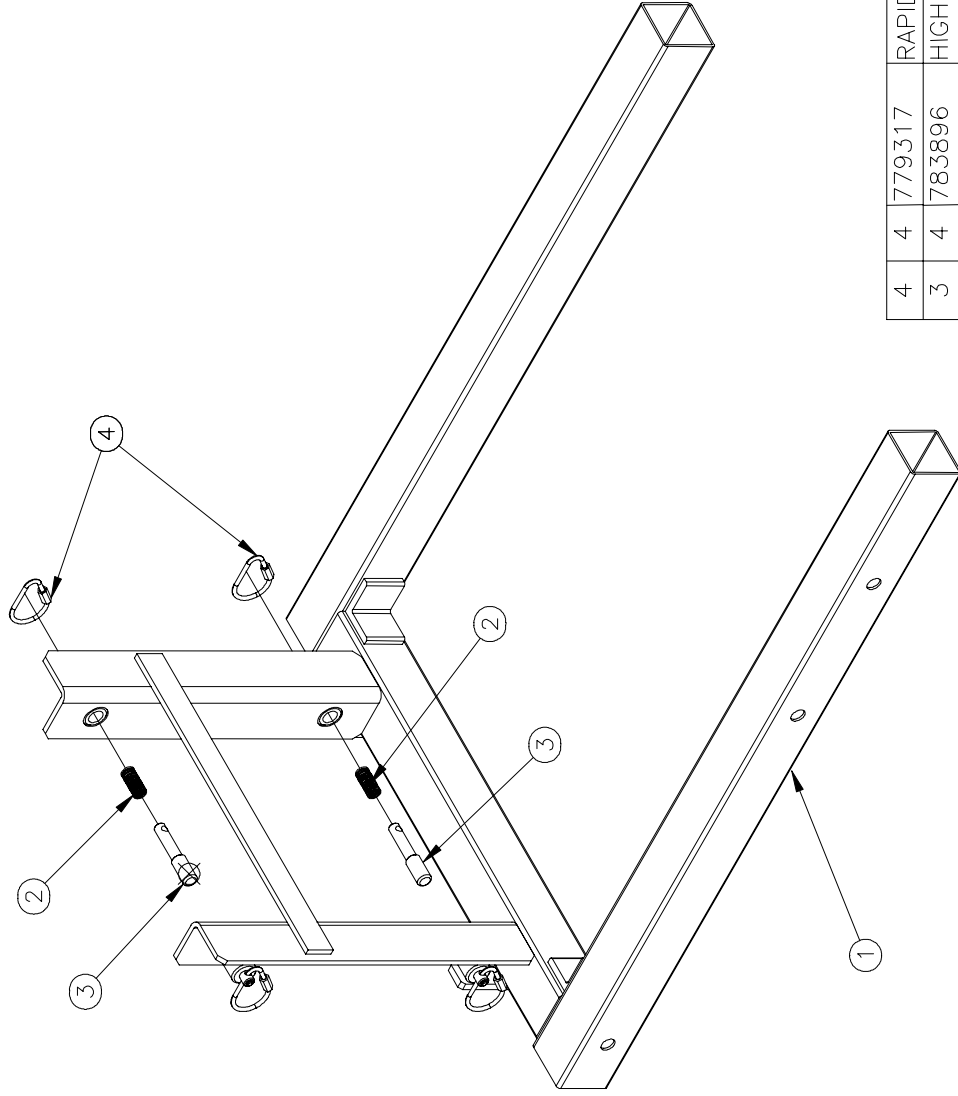
NOTE:
BLACK & YELLOW WARNING TAPE
SOLD IN ROLLS ONLY

| | | | | |
|------------|----------|-----|------------------------------------|---|
| 6 | 778352 | ✳ | 2" BLK/YEL WARNING TAPE (SEE NOTE) | ✳ |
| 5 | 772502 | 4 | LOCKNUT 5/16-18 | |
| 4 | 771239 | 4 | BHCS 5/16-18 X 3/4 | |
| 3 | 783098 | 1 | SPACER PLATE | |
| 2 | 779005 | 1 | SWIVEL CASTER | |
| 1 | ✳ | 1 | FRONT LEG WELDMENT | ✳ |
| Item | Part No. | Qty | Description | |
| Parts List | | | | |

✳✳ SEE APPLICATION CHART

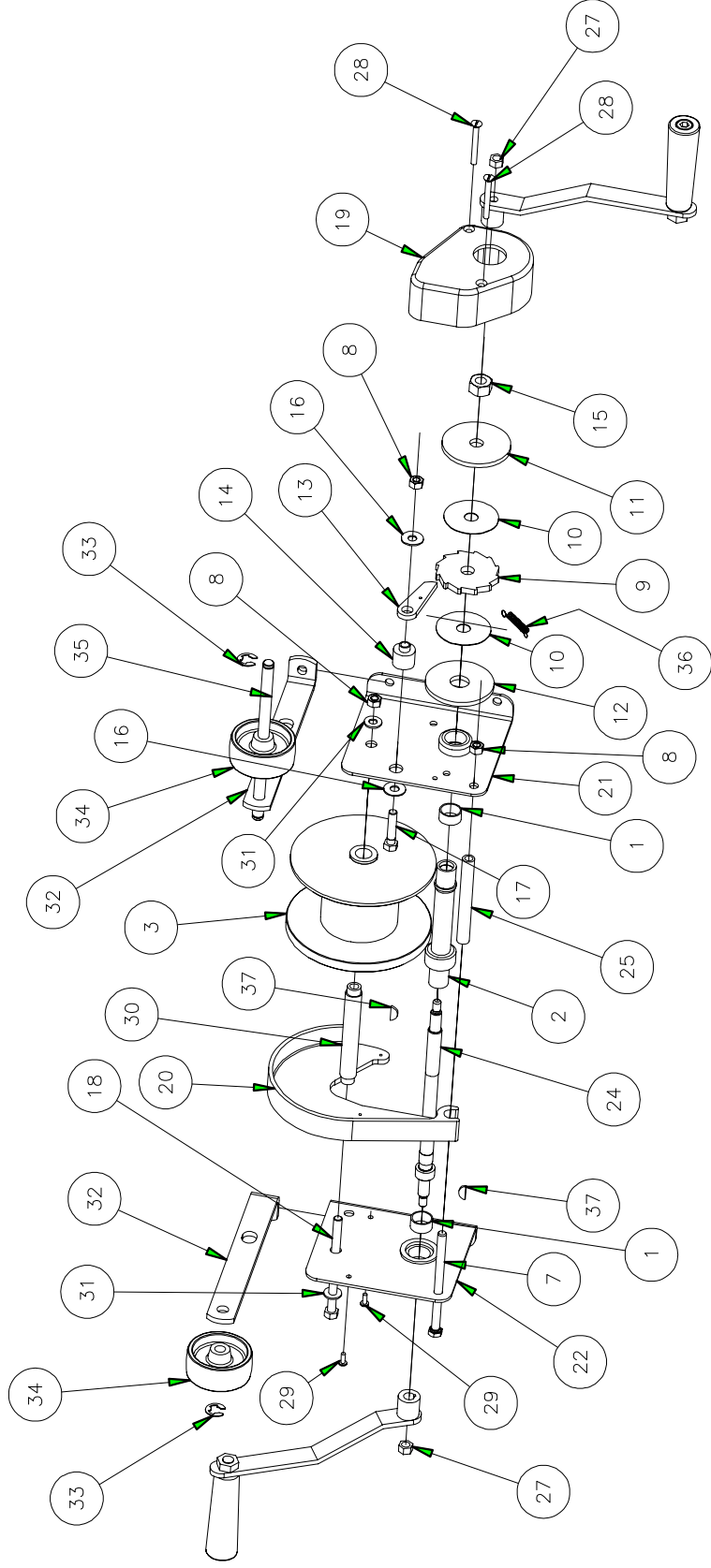
| APPLICATION CHART | | | |
|-------------------|------------|------------|------------|
| ITEM | MODEL 2112 | MODEL 2118 | MODEL 2124 |
| 1 | 783676 | 783665 | 783665 |

783653 – STANDARD FORK ASSEMBLY



| | | | |
|------------|--------|-------------|-----------------------------|
| 4 | 4 | 779317 | RAPID LINK PEAR SHAPED 1/8Ø |
| 3 | 4 | 783896 | HIGH STRENGTH PLUNGER |
| 2 | 4 | 776212 | SPRING |
| 1 | 1 | 783547 | FORK WELDMENT |
| Item Qty | PART # | DESCRIPTION | |
| Parts List | | | |

783590 – MX WINCH ASSEMBLY



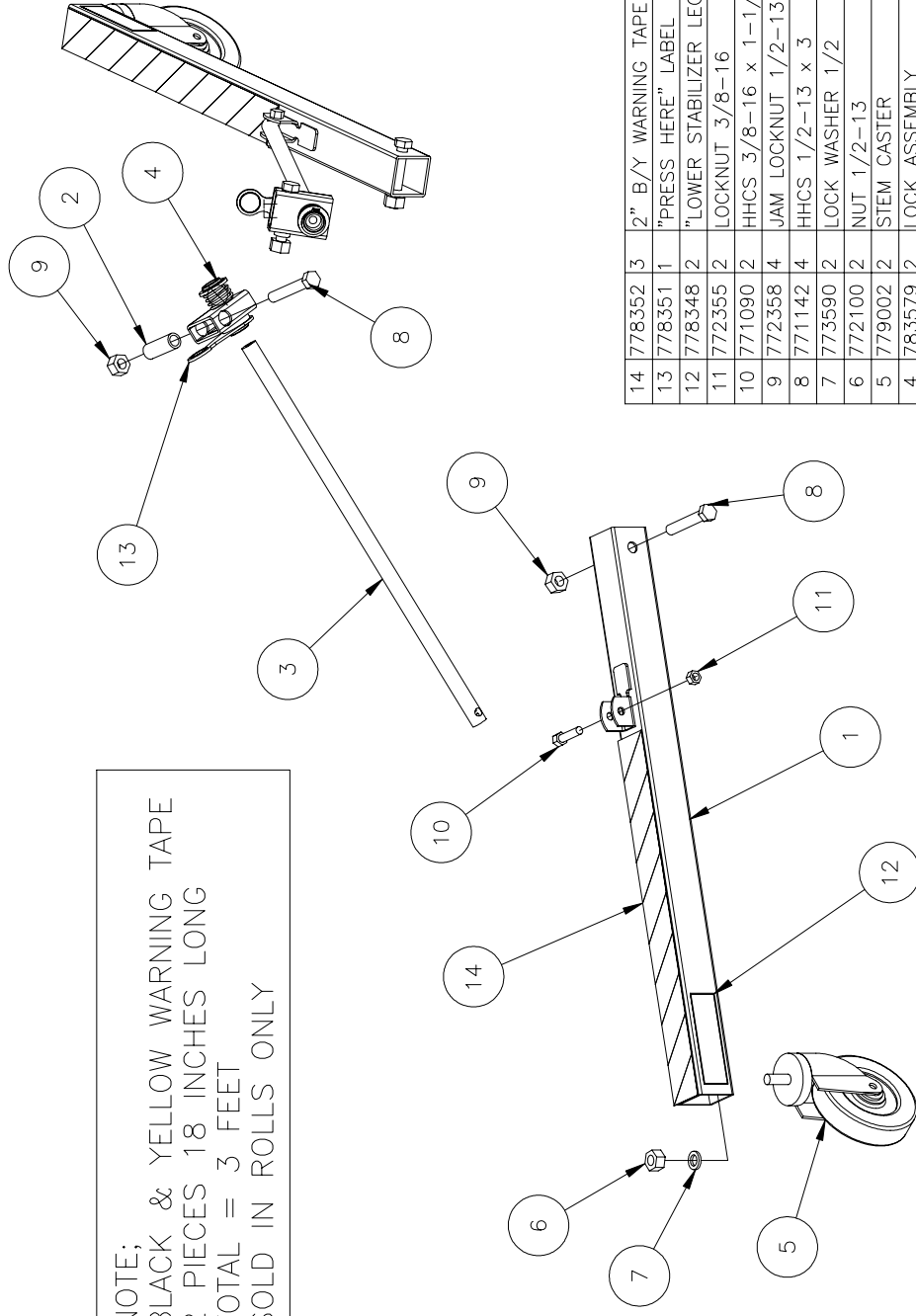
| Item | Part No. | Qty | Description |
|------|----------|-----|-----------------------|
| 37 | 774074 | 2 | #406 WOODRUFF KEY |
| 36 | 783621 | 1 | RATCHET DOG SPRING |
| 35 | 782619 | 1 | ROLLER SHAFT |
| 34 | 779012 | 2 | ROLLER - 3" |
| 33 | 776072 | 2 | RETAINER 5100-50 |
| 32 | 783609 | 2 | SUPPORT ARM |
| 31 | 773040 | 2 | WASHER, FL 3/8 |
| 30 | 783606 | 1 | DRUM SPACER SHAFT |
| 29 | 771800 | 2 | PHSM #10 X 1/2 |
| 28 | 771290 | 2 | FHMS 1/4-20 X 2-1/4 |
| 27 | 772350 | 2 | JAM LOCKNUT 3/8-16 |
| 26 | 783608 | 2 | WINCH HANDLE ASSEMBLY |
| 25 | 783599 | 1 | SPACER |
| 24 | 783600 | 1 | DRIVE SHAFT |

| Item | Part No. | Qty | Description |
|------|----------|-----|--------------------------|
| 22 | 783593 | 1 | SIDE PLATE WELDMENT - LH |
| 21 | 783596 | 1 | SIDE PLATE WELDMENT - RH |
| 20 | 783611 | 1 | COVER - GEAR |
| 19 | 783612 | 1 | COVER - BRAKE |
| 18 | 771105 | 1 | HHCS 3/8-16 X 6 |
| 17 | 771100 | 1 | HHCS 3/8-16 X 1-3/4 |
| 16 | 773042 | 2 | WASHER FL 5/16 |
| 15 | 772375 | 1 | LOCKNUT 5/8-18 |
| 14 | 783598 | 1 | SPACER |
| 13 | 780216 | 1 | RATCHET DOG |
| 12 | 780211 | 1 | PLATE - INNER |

| Item | Part No. | Qty | Description |
|------|----------|-----|---------------------|
| 11 | 780212 | 1 | PLATE - OUTER |
| 10 | 783615 | 2 | BRAKE DISC |
| 9 | 780214 | 1 | RATCHET WHEEL |
| 8 | 772355 | 3 | LOCKNUT 3/8-16 |
| 7 | 771111 | 1 | HHCS 3/8-16 X 5-1/2 |
| 3 | 783613 | 1 | DRUM ASSEMBLY |
| 2 | 780205 | 1 | PINION SHAFT |
| 1 | 775092 | 2 | BUSHING |

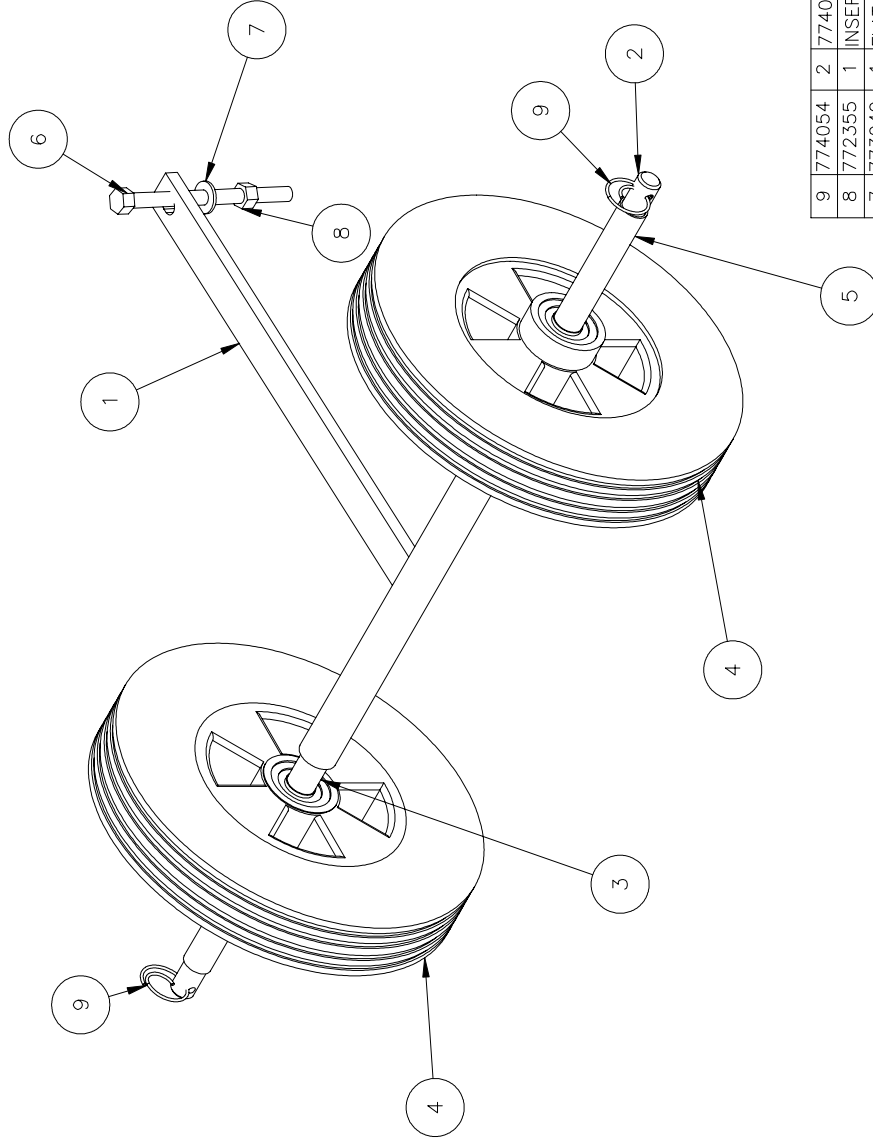
783679 – OUTRIGGER ASSEMBLY

NOTE:
 BLACK & YELLOW WARNING TAPE
 2 PIECES 18 INCHES LONG
 TOTAL = 3 FEET
 SOLD IN ROLLS ONLY



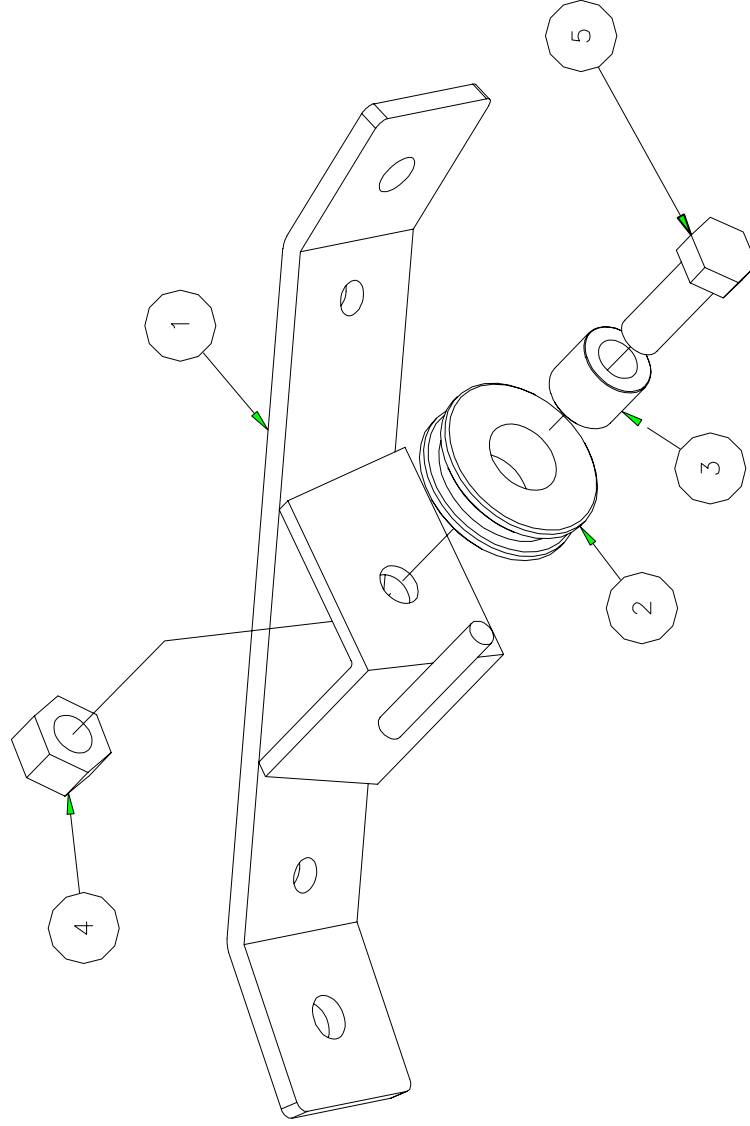
| Item | Part No. | Qty | Description |
|------|----------|-----|--------------------------------|
| 14 | 778352 | 3 | 2" B/Y WARNING TAPE (SEE NOTE) |
| 13 | 778351 | 1 | "PRESS HERE" LABEL |
| 12 | 778348 | 2 | "LOWER STABILIZER LEG" LABEL |
| 11 | 772355 | 2 | LOCKNUT 3/8-16 |
| 10 | 771090 | 2 | HHCS 3/8-16 x 1-1/2 |
| 9 | 772358 | 4 | JAM LOCKNUT 1/2-13 |
| 8 | 771142 | 4 | HHCS 1/2-13 x 3 |
| 7 | 773590 | 2 | LOCK WASHER 1/2 |
| 6 | 772100 | 2 | NUT 1/2-13 |
| 5 | 779002 | 2 | STEM CASTER |
| 4 | 783579 | 2 | LOCK ASSEMBLY |
| 3 | 783680 | 2 | BRACE TUBE |
| 2 | 783544 | 2 | SPACER |
| 1 | 783528 | 2 | LEG WELDMENT |
| | | | Parts List |

783667 – 10" WHEEL KIT



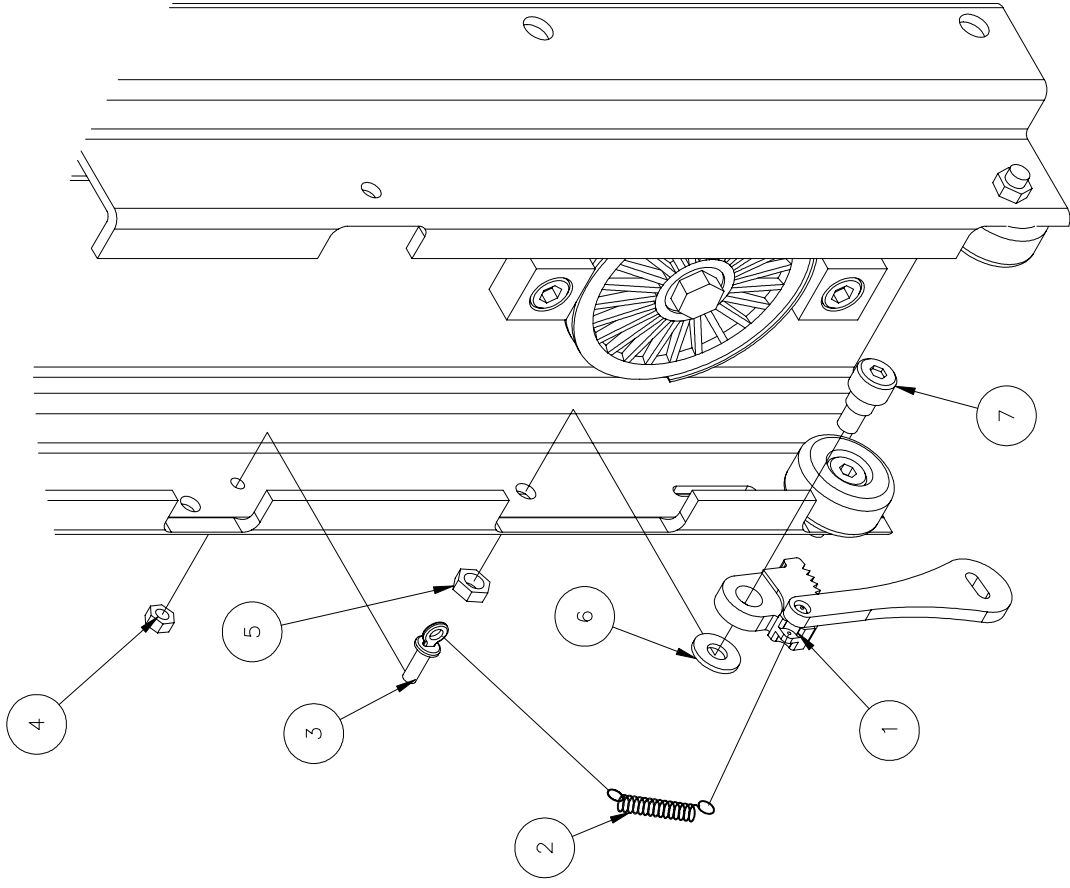
| | | | | |
|-------------------|--------|-----|-------------------------|------------|
| 9 | 774054 | 2 | 774054-1125 RING COTTER | 1-1/8φ |
| 8 | 772355 | 1 | INSERT LOCKNUT | 3/8-16 |
| 7 | 773040 | 1 | FLAT WASHER | 3/8 |
| 6 | 771103 | 1 | HHCS | 3/8-16 X 4 |
| 5 | 774039 | 2 | OUTSIDE AXLE SPACER | |
| 4 | 779011 | 2 | 10" WHEEL | |
| 3 | 774040 | 2 | INSIDE AXLE SPACER | |
| 2 | 783563 | 1 | AXLE | |
| 1 | 783564 | 1 | AXLE SUPPORT WELDMENT | |
| Item/Part No. | | Qty | Description | |
| 783367 Parts List | | | | |

783582 – SPREADER PLATE ASSEMBLY



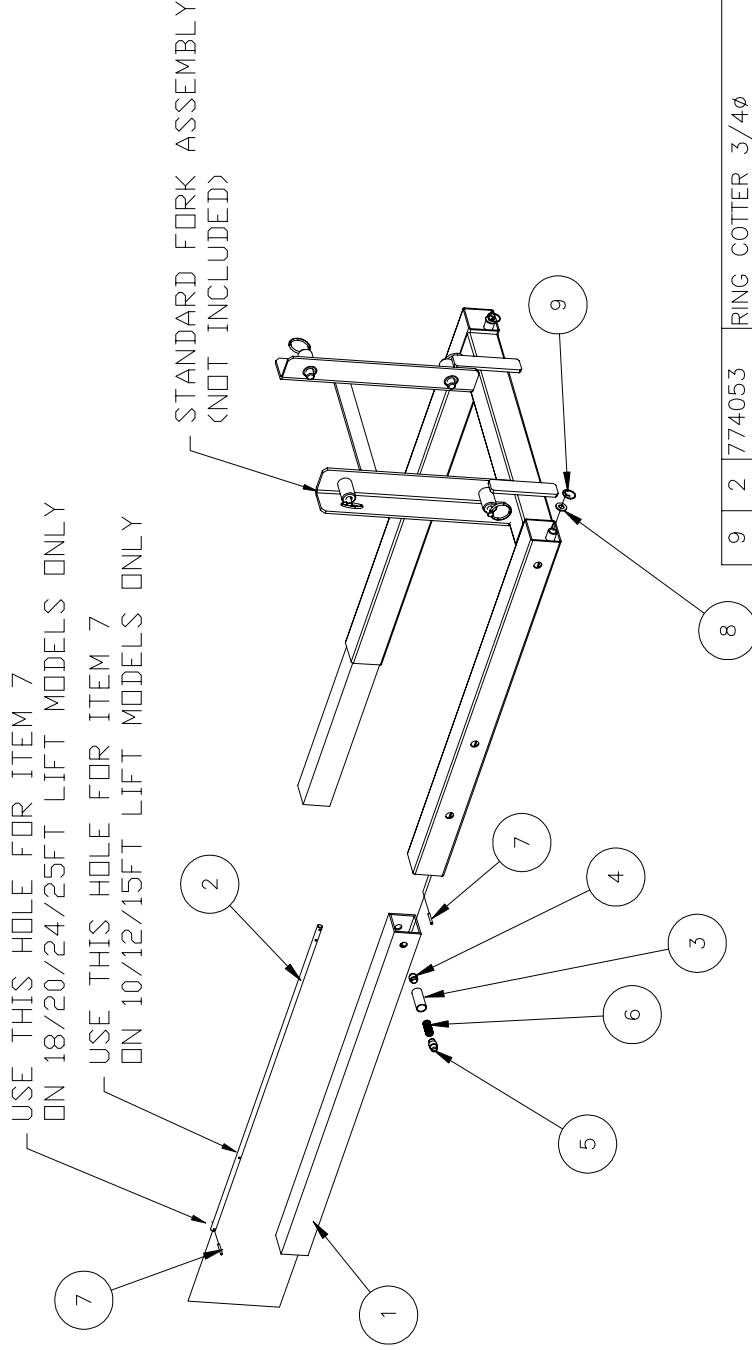
| | | | |
|---------------|--------|-----|-------------------------|
| 5 | 771120 | 1 | HHCS 1/2-13 X 1-1/2 |
| 4 | 772357 | 1 | INSERT LOCKNUT 1/2-13 |
| 3 | 782960 | 1 | BUSHING |
| 2 | 780025 | 1 | 2" ROLLER |
| 1 | 783581 | 1 | SPREADER PLATE WELDMENT |
| Item/Part No. | | Qty | Description |
| Parts List | | | |

BRAKE INSTALLATION – OPTIONAL



| Item | Part No. | Qty | Description |
|------|----------|-----|-----------------------------|
| 7 | 771350 | 1 | SHOULDER BOLT 1/2 X 3/8 |
| 6 | 773042 | 1 | 5/16 FLAT WASHER |
| 5 | 772350 | 1 | INSERT JAM LOCKNUT 3/8-16 |
| 4 | 772076 | 1 | INSERT LOCKNUT 1/4-20 |
| 3 | 779900 | 1 | ADJUSTING SCREW |
| 2 | 783530 | 1 | EXTENSION SPRING |
| 1 | 783692 | 1 | BRAKE CAM & WEIGHT ASSEMBLY |
| | | | Parts List |

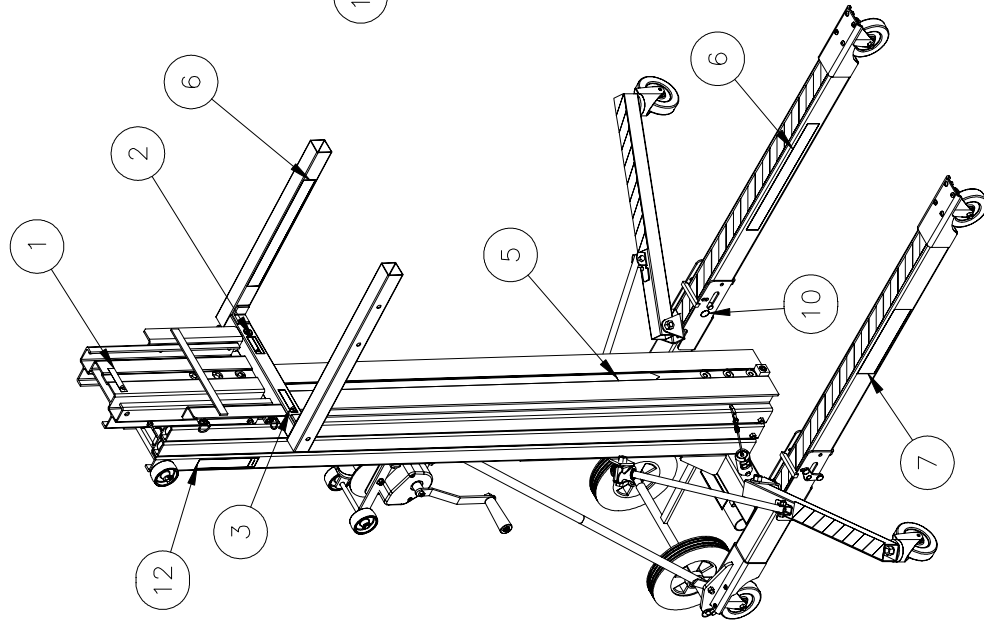
783691 - FORK EXTENSION KIT – OPTIONAL



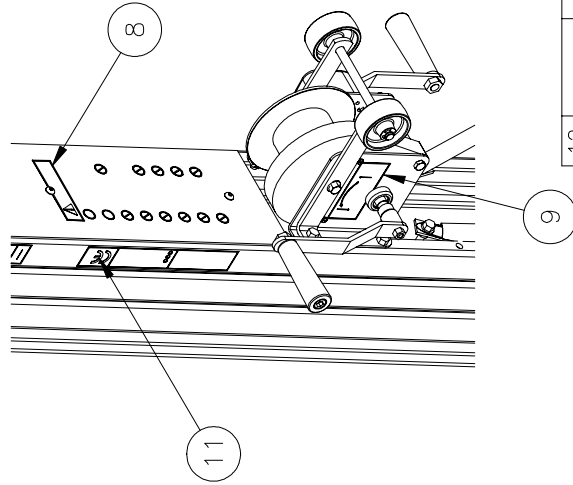
NOTE CORRECT POSITION FOR ROLLPIN IN LIMIT ROD FOR EACH MODEL, USING THE OUTSIDE HOLE FOR 10-15FT MODELS MAY CAUSE AN UNSTABLE CONDITION WITH A LARGE LOAD. USE OF FORK EXTENSIONS REDUCES THE RATED CAPACITY TO 200 POUNDS AT THE END. REFER TO OWNERS MANUAL.

| | | | |
|------------|--------|-------------|------------------|
| 9 | 2 | 774053 | RING COTTER 3/4φ |
| 8 | 2 | 773042 | WASHER 5/16 |
| 7 | 4 | 774092 | ROLL PIN |
| 6 | 2 | 776212 | SPRING |
| 5 | 2 | 783509 | LOCK PIN |
| 4 | 2 | 783508 | PIN |
| 3 | 2 | 774035 | SPACER |
| 2 | 2 | 783589 | LIMIT ROD |
| 1 | 2 | 783588 | EXTENSION TUBE |
| Item Qty | PART # | DESCRIPTION | |
| Parts List | | | |

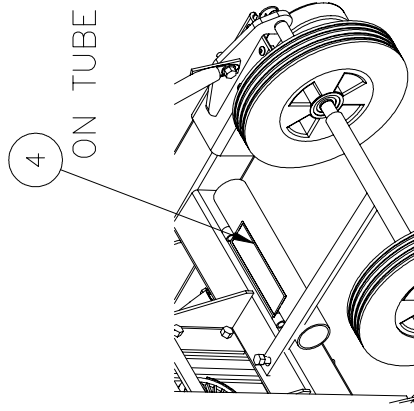
COMMON LABEL PLACEMENT



UPPER BACK VIEW



LOWER BACK VIEW



| | | | |
|------|----------|-----|--|
| 12 | --- | 2 | Model No. Label (See Top Assembly) |
| 11 | 777383 | 1 | C E and Ser. No. Label |
| 10 | 778351 | 2 | "Press Here" Label |
| 9 | 778346 | 1 | Cranking Instructions Label |
| 8 | 778350 | 1 | General Warnings - Large |
| 7 | 778342 | 2 | "SUMNER" Label |
| 6 | 778850 | 4 | "Do Not Stand Under Load" Label |
| 5 | 778917 | 1 | Red Arrow Label |
| 4 | 778906 | 1 | "Read Operating Instructions....." Label |
| 3 | 778339 | 1 | Carriage Latch Pin Warning Label |
| 2 | 778347 | 1 | No Riders Warning Label |
| 1 | 778341 | 1 | Lower Carriage Warning Label |
| Item | Part No. | Qty | Description |
| | | | Parts List |