

A worker in a red uniform is operating a mobile vertical lift in a modern building lobby. The lift is extended to the ceiling, and the worker is reaching up to adjust a light fixture. The lobby features a curved staircase with a red railing and a polished floor. The lift is orange and has a platform with a worker. The background shows a large, open space with a curved staircase and a polished floor.

Mobile vertical lifts EGTWY1200

Mobile vertical lifts GTWY1200

STANDARD EQUIPMENT




- Swing out outriggers with interlock
- Emergency stop button
- Easy loading in pickup trucks
- Two controllers operation
- Emergency lowering system
- Leveling indicator
- Forklift pockets
- Transport tie hole
- Tilt back frame (Only for GTWY14-1200)
- Overload sensor with alarm

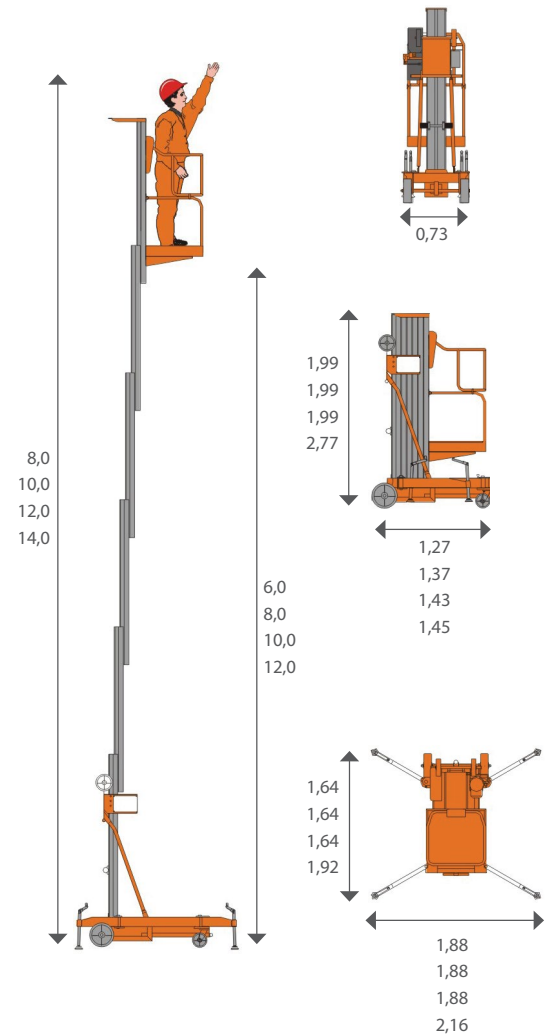
OPTIONS


- AC power to platform
- All motion alarm
- Beacon

SPECIFICATIONS

GTWY10 - 1200 GTWY12-1200 GTWT14-1200

 S.W.L.	150 kg	150 kg	136 kg
 Max. occupants	1	1	1
 Working height	10,0 m	12,00 m	14,00 m
 Platform floor height	8,00 m	10,00 m	12,00 m
 Overall length (stowed/tilted back)	1,37/- m	1,43/- m	1,45/2,95 m
 Overall width	0,73 m	0,73 m	0,73 m
 Overall height (stowed/tilted back)	1,99/- m	1,99/- m	2,77/1,95 m
 Outrigger footprint (l/w)	1,64/1,88 m	1,64/1,88 m	1,92/2,16 m
 Platform size	0,69x0,60 m	0,69x0,60 m	0,69x0,60 m
 Ground clearance	0,06 m	0,06 m	0,06 m
 Speed (up/down)	41/42 sec	48/32 sec	62/46 sec
 Lifting motor (AC)	110-230VAC/1,5 kw	110-230VAC/1,5 kw	110-230VAC/1,5 kw
 Lifting motor (DC)	12VDC/1,5 kw	12VDC/1,5 kw	12VDC/1,5 kw
 Wheels (back/front)	8/5 in	8/5 in	8/5 in
 Weight (AC/DC)	414/450 kg	434/470 kg	526/558 kg



 This product is available with the CE mark confirming compliance with all relevant European Machinery Directives

www.dingli.eu

INSTANT

Norway

Tel.: +47 23 19 11 00
info@instant.no

Lithuania

Tel.: +370 5 233 1096
info@instant.lt

Latvia

Tel.: + 371 263 58 152
info@instantlatvija.lv

Estonia

Tel.: +372 680 76 33
info@instanteesti.ee